

File HSWA PS 1 1996
TRACK PS, 2-26-96, 2-27-96, HRMB, PS, Re. gw monitoring wells. File



ENVIRONMENTAL HEALTH DEPARTMENT
PO Box 1293
Albuquerque New Mexico 87103
(505) 768-2600

2/26/96



Doug East
Environmental Services, Inc.

Date,

Well NCLF-1 is screened from 135-175
feet below grade (4" PVC screen & casing).

Depth to water is 140.21 ft below MP.

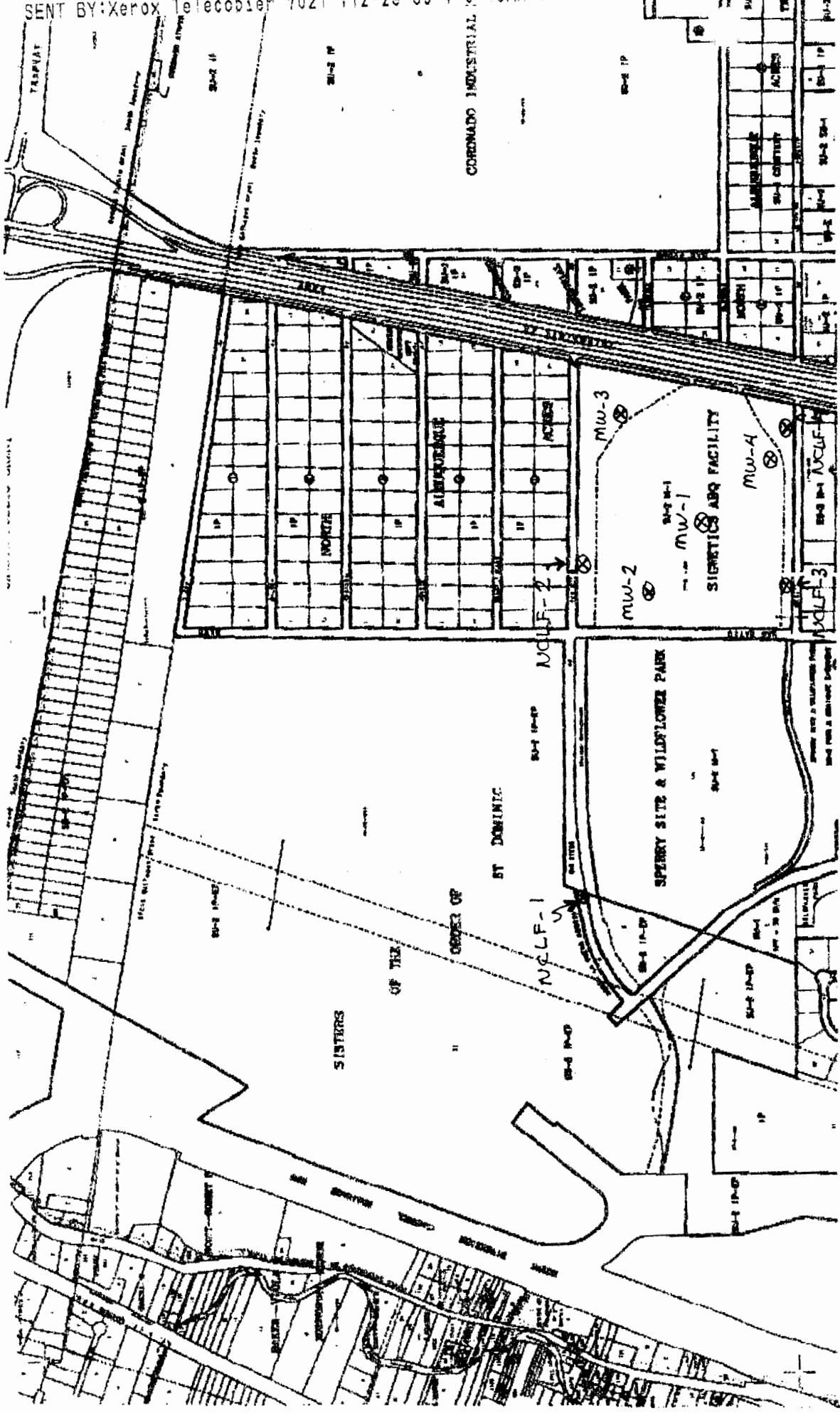
The reference elevation has not been surveyed
and the well has not been sampled.

We may sample the well in March.

Please call if you have questions.

Doug





Scale 1" = 20'

Augustine

© Planning Department July 08, 1995



UNIFORM PROPERTY CODE

1417.000

UNIFORM PROPERTY CODE

1417.000

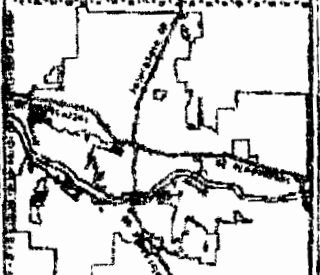
B-17-Z



Scale 1" = 20'

Augustine

© Planning Department July 08, 1995



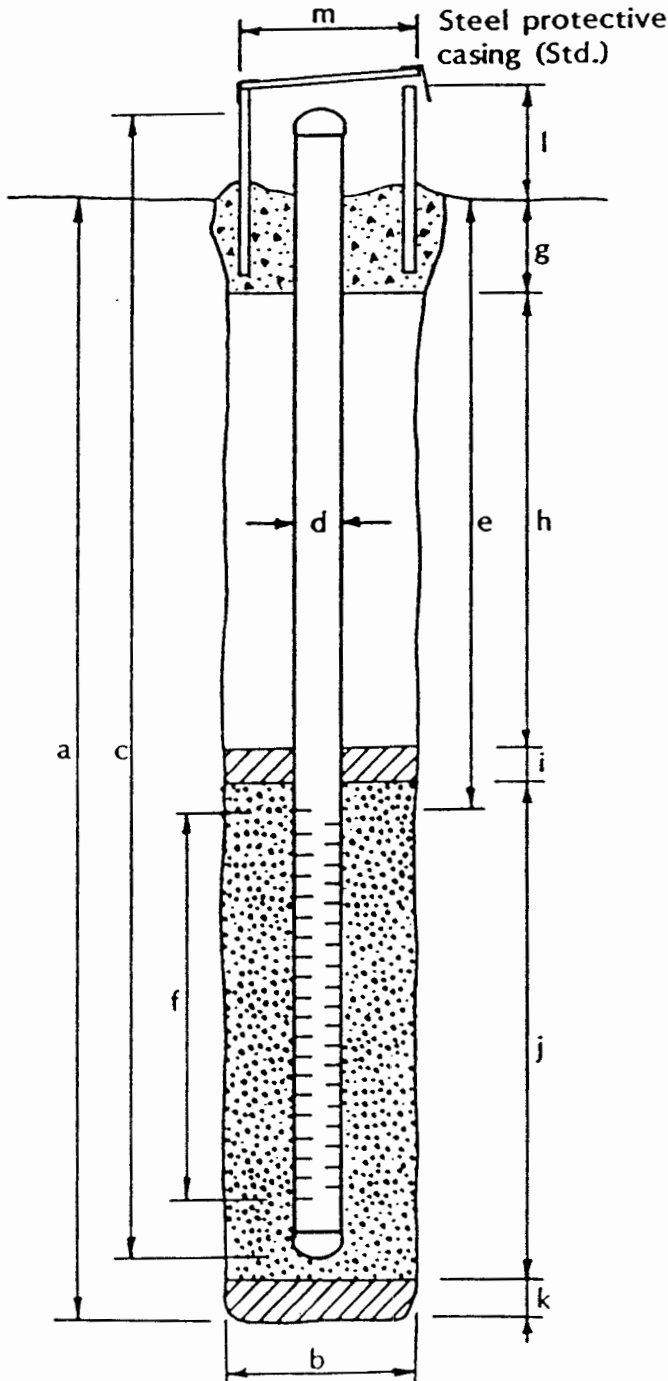
Phillips
wells

WELL DETAILS



PROJECT NUMBER 377-16.01
 PROJECT NAME Signetics
 COUNTY Bernalillo Co., NM
 WELL PERMIT NO. N/A

BORING / WELL NO. MW-1
 TOP OF CASING ELEV. 5168.70
 GROUND SURFACE ELEV. 5168.17
 DATUM Mean Sea Level



EXPLORATORY BORING

a. Total depth 247 ft.
 b. Diameter 7 7/8 in.
 Drilling method Air/Mud Rotary

WELL CONSTRUCTION

c. Casing length 230 ft.
 Material Schedule 40 PVC
 d. Diameter 2 in.
 e. Depth to top perforations 199.5 ft.
 f. Perforated length 30 ft.
 Perforated interval from 199.5 to 229.5 ft.
 Perforation type Machine Slotted
 Perforation size 0.02 inch
 g. Surface seal 3 ft.
 Seal material Cement w/ 3% Bentonite
 h. Backfill 171 ft.
 Backfill material Cement w/ 3% Bentonite
 i. Seal 5 ft.
 Seal material Bentonite
 j. Gravel pack \pm 68 ft.
 Pack material CSSI 8x12 Sand
 k. Bottom seal N/A ft.
 Seal material N/A
 l. Casing height * .5 ft.
 m. Protective casing diameter 10 in.

\pm includes filter pack

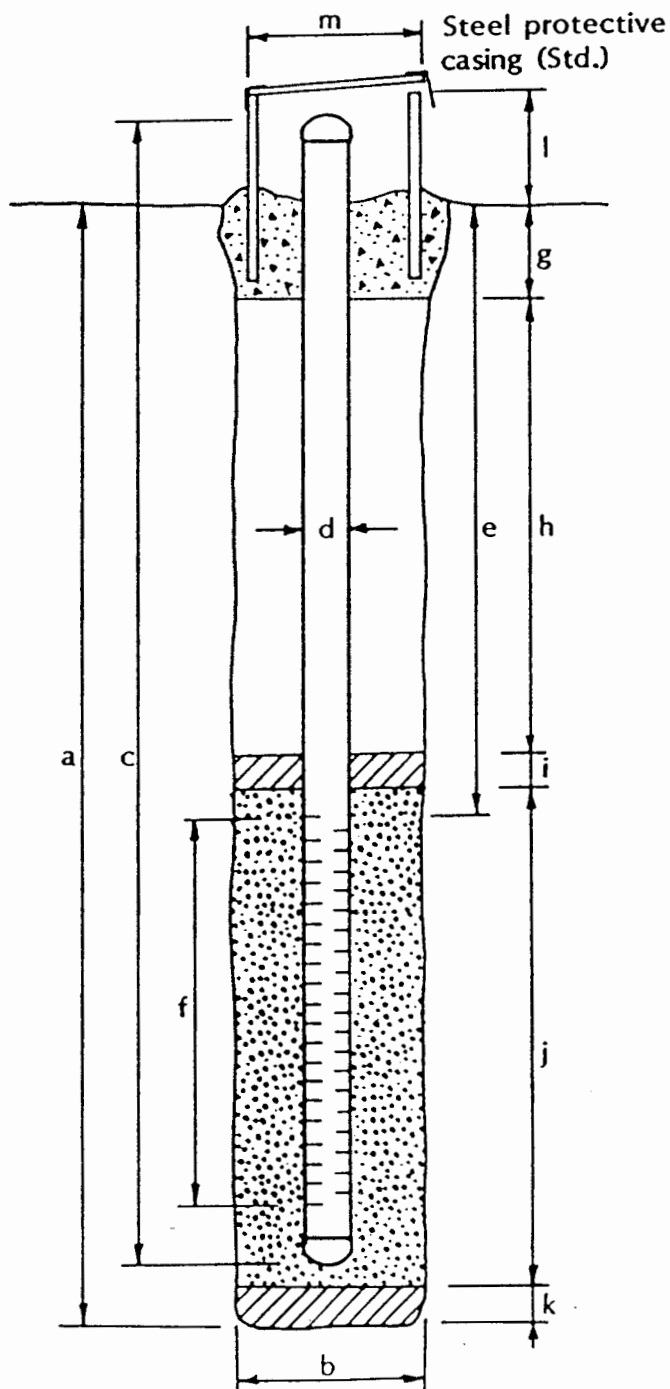
* top of PVC casing

WELL DETAILS



PROJECT NUMBER 377-16.01
 PROJECT NAME Signetics
 COUNTY Bernalillo Co., NM
 WELL PERMIT NO. N/A

BORING / WELL NO. MW-2
 TOP OF CASING ELEV. 5159.36
 GROUND SURFACE ELEV. 5158.15
 DATUM Mean Sea Level



EXPLORATORY BORING

a. Total depth 245 ft.
 b. Diameter 7 7/8 in.
 Drilling method Air/Mud Rotary

WELL CONSTRUCTION

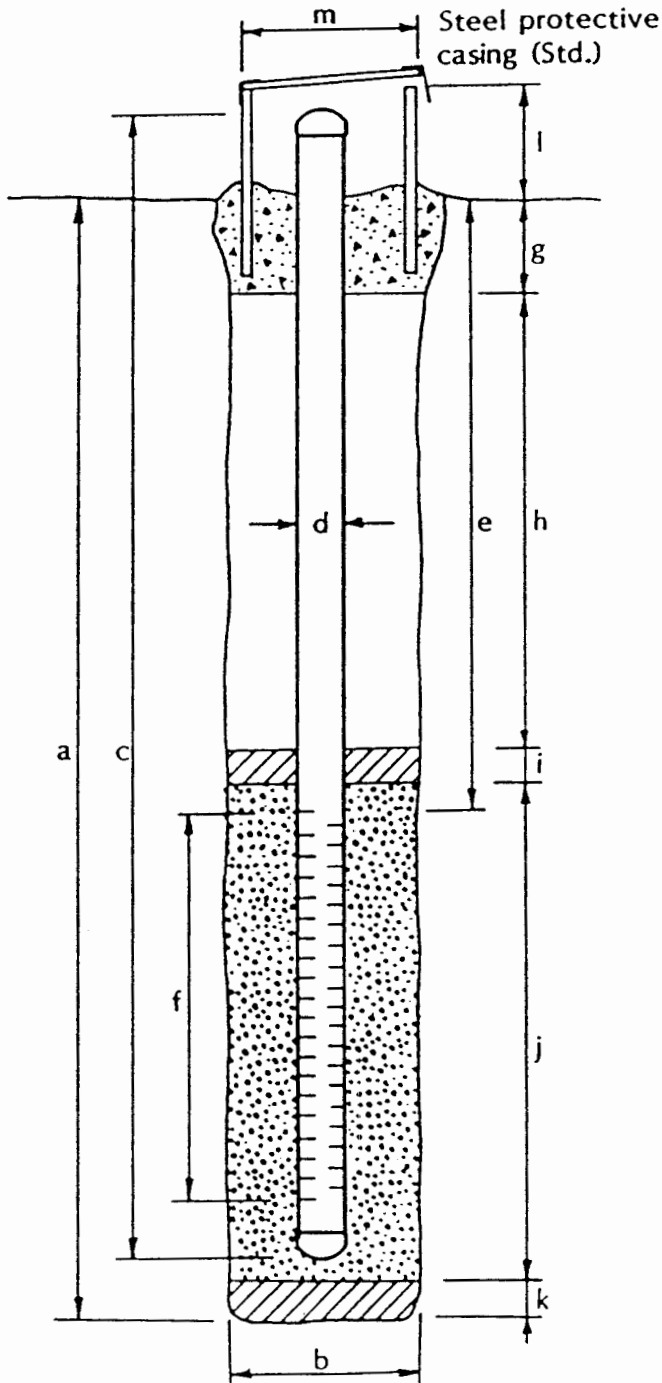
c. Casing length 240 ft.
 Material Schedule 40 PVC
 d. Diameter 2 in.
 e. Depth to top perforations 200 ft.
 f. Perforated length 30 ft.
 Perforated interval from 200 to 230 ft.
 Perforation type Machine Slot
 Perforation size 0.02 inch
 g. Surface seal 6 ft.
 Seal material Grout w/ 3% Bentonite
 h. Backfill 174 ft.
 Backfill material Grout w/ 3% Bentonite
 i. Seal 8.5 ft.
 Seal material Volclay Bentonite
 j. Gravel pack \pm 56.5 ft.
 Pack material CSSI 8x12 Sand
 k. Bottom seal N/A ft.
 Seal material N/A
 l. Casing height * 1.0 ft.
 m. Protective casing diameter 10 in.
 \pm includes filter pack (.5') and natural pack (9.5')
 * top of PVC casing

WELL DETAILS



PROJECT NUMBER 377-16.01
 PROJECT NAME Signetics
 COUNTY Bernalillo Co., NM
 WELL PERMIT NO. N/A

BORING / WELL NO. MW-3
 TOP OF CASING ELEV. 5186.43
 GROUND SURFACE ELEV. 5185.48
 DATUM Mean Sea Level



EXPLORATORY BORING

a. Total depth 260 ft.
 b. Diameter 7 7/8 in.
 Drilling method Air/Mud Rotary

WELL CONSTRUCTION

c. Casing length 240.5 ft.
 Material Schedule 40 PVC
 d. Diameter 2 in.
 e. Depth to top perforations 209.5 ft.
 f. Perforated length 30 ft.
 Perforated interval from 209.5 to 239.5 ft.
 Perforation type Machine Slotted
 Perforation size 0.02 inch
 g. Surface seal 8 ft.
 Seal material Cement w/ 3% Bentonite
 h. Backfill 172 ft.
 Backfill material Cement w/ 3% Bentonite
 i. Seal 14 ft.
 Seal material Bentonite
 j. Gravel pack ± 66 ft.
 Pack material CSSI 8x12 Sand
 k. Bottom seal N/A ft.
 Seal material N/A
 l. Casing height * 1.0 ft.
 m. Protective casing diameter 10 in.

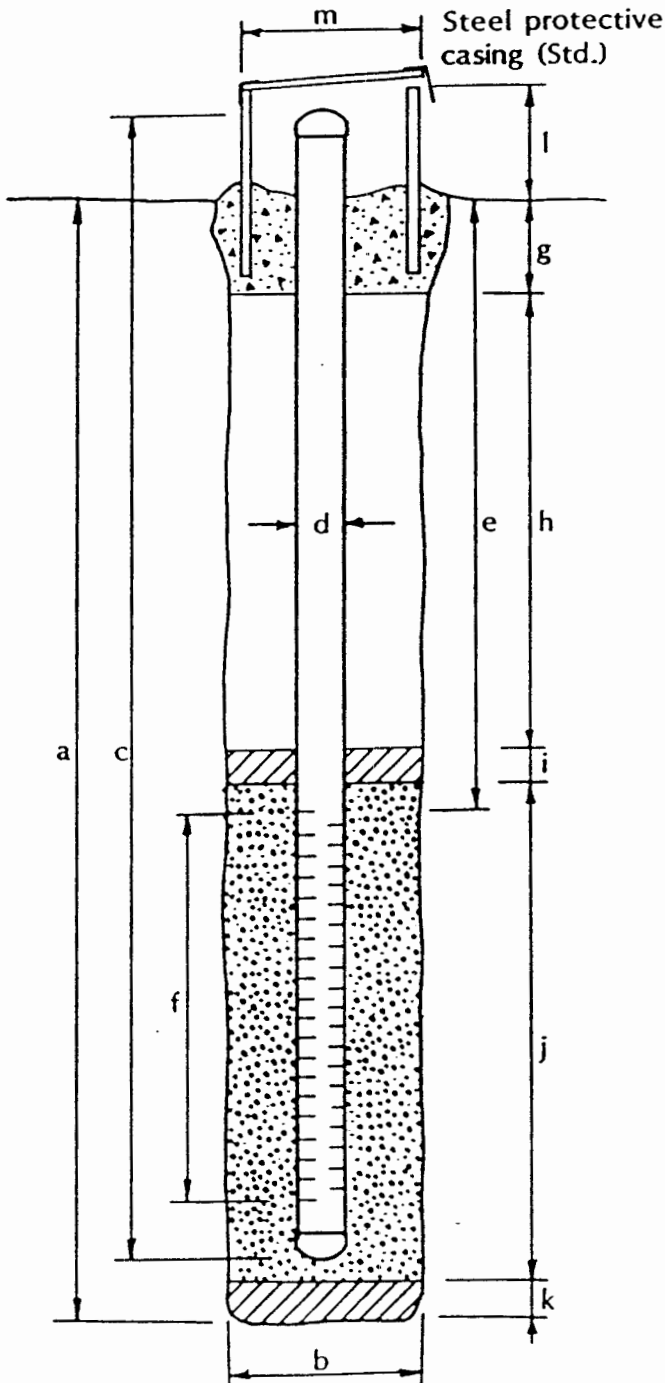
± includes filter pack (2.5 ft) and natural pack (6 ft)
 * top of PVC casing

WELL DETAILS



PROJECT NUMBER 377-16.01
 PROJECT NAME Signetics
 COUNTY Bernalillo Co., NM
 WELL PERMIT NO. N/A

BORING / WELL NO. MW-4
 TOP OF CASING ELEV. 5182.94
 GROUND SURFACE ELEV. 5182.46
 DATUM Mean Sea Level



EXPLORATORY BORING

- a. Total depth 260 ft.
 b. Diameter 7 7/8 in.
 Drilling method Air/Mud Rotary

WELL CONSTRUCTION

- c. Casing length 240 ft.
 Material Schedule 40 PVC
 d. Diameter 2 in.
 e. Depth to top perforations 209.5 ft.
 f. Perforated length 30 ft.
 Perforated interval from 209.5 to 239.5 ft.
 Perforation type Machine Slotted
 Perforation size 0.02 inch
 g. Surface seal 19 ft.
 Seal material Cement w/ 3% Bentonite
 h. Backfill 169.5 ft.
 Backfill material Cement w/3% Bentonite
 i. Seal 10 ft.
 Seal material Bentonite
 j. Gravel pack[±] 61.5 ft.
 Pack material CSSI 8x12 Sand
 k. Bottom seal N/A ft.
 Seal material N/A
 l. Casing height* .5 ft.
 m. Protective casing diameter 10 in.
 ± includes filter pack
 * top of PVC casing

Table 1
MONITORING WELL COMPLETION DETAILS

Well	Total Depth (feet)	Screened Interval (feet)	Sand Pack ¹ Interval (feet)	Filter Pack ² Interval (feet)	Seal ³ Interval (feet)	Backfill ⁴ Interval (feet)
MW-1	247	199.5 to 229.5	180.5 to 247.0	179.0 to 180.5	174.0 to 179.0	0 to 174.0
MW-2	245	199.5 to 229.5	189.0 to 245.0	188.5 to 189.0	180.0 to 188.5	0 to 180.0
MW-3	260	209.5 to 239.5	196.5 to 260.0	194.0 to 196.5	180.0 to 194.0	0 to 180.0
MW-4	260	209.5 to 239.5	199.5 to 260.0	198.5 to 199.5	188.5 to 198.5	0 to 188.5

1. CSSI 8x12 silica sand

2. Fine silica sand

3. Bentonite

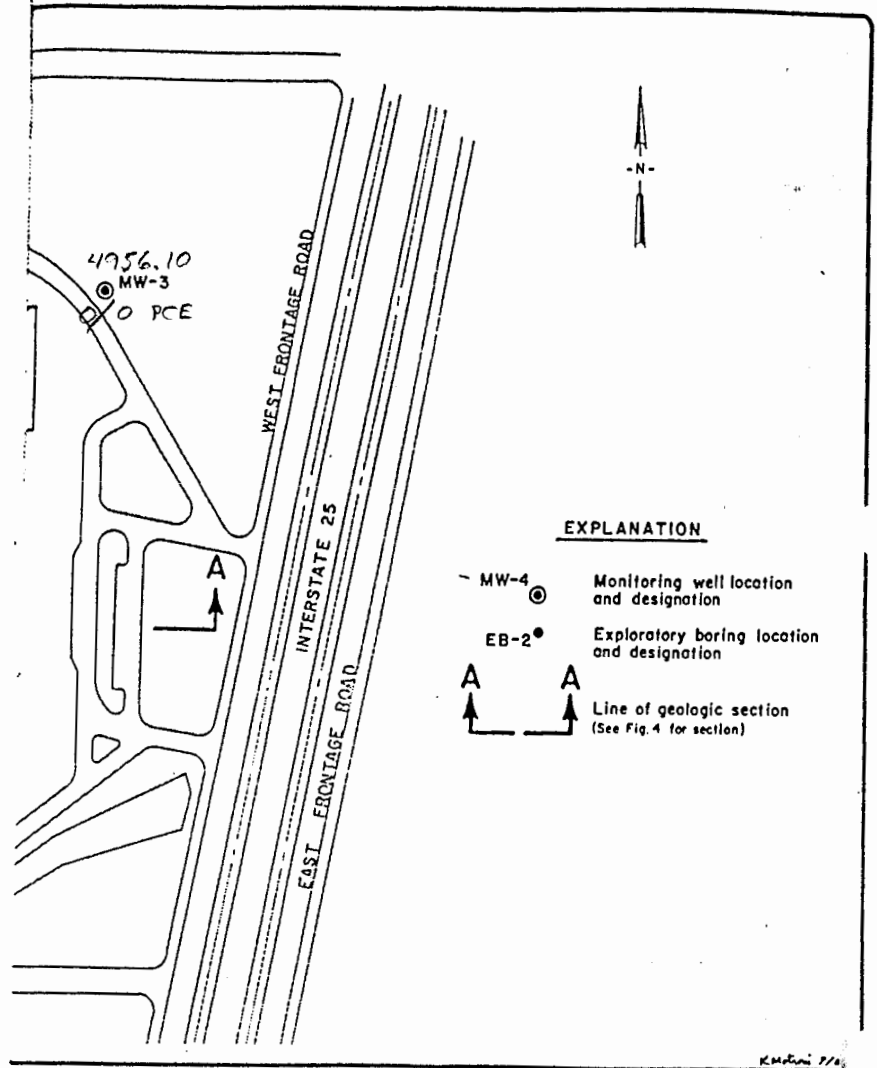
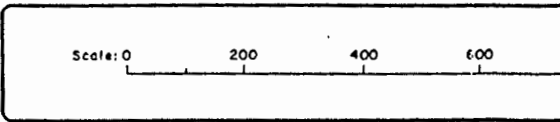
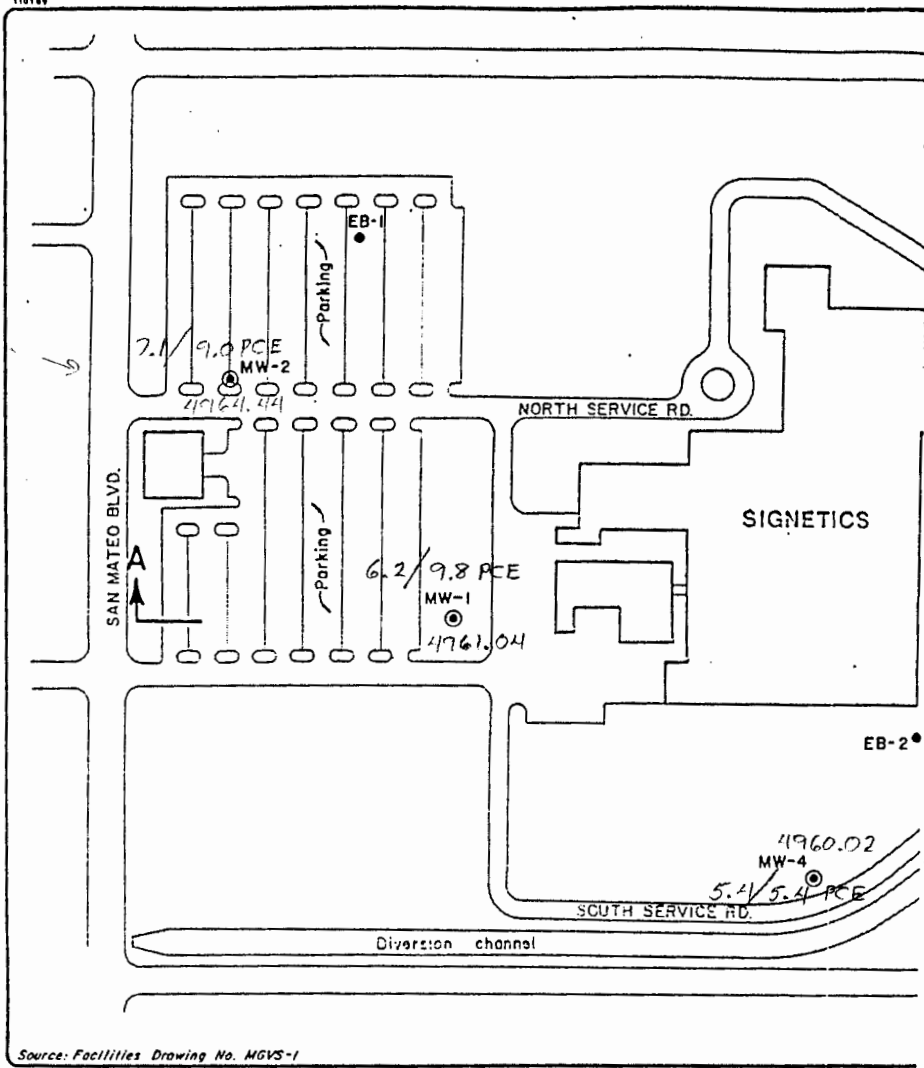
4. Grout with 3 percent bentonite

Monitoring Well Water Depth (ft)

DATE	WELL 1	WELL 2	WELL 3	WELL 4
Q3-1988	202.8	190.6	224.5	218.2
Q2-1989	203.1	191.2	224.8	218.5
Q3-1989	203	192	225	219
Q4-1989	202	192	225	219
Q3-1990	203	192	226	220
Q4-1990	203	192	226	220
Q2-1991	204.5	192.6	227	220
Q3-1991	209	193	220	220
Q4-1991	204	193	227	221
Q1-1992	206	193	228	221
Q2-1992	205	193	228	221
Q3-1992	206	194	228	221
Q4-1992	205	194	228	221
Q1-1993	205	194	229	222
Q2-1993	207	194	229	222
Q3-1993	207	194	229	222
Q4-1993	207	194	230	222
Q1-1994	207	194	230	222
Q2-1994	207.66	194.92	230.33	222.92

WELL ELEVATION DATA

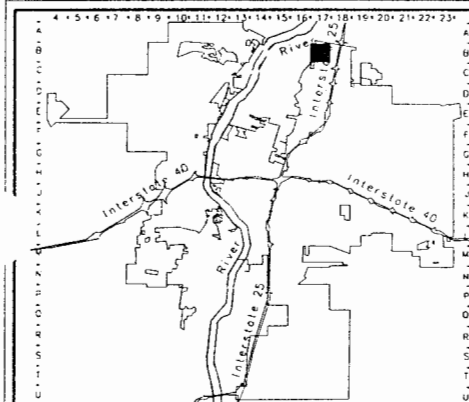
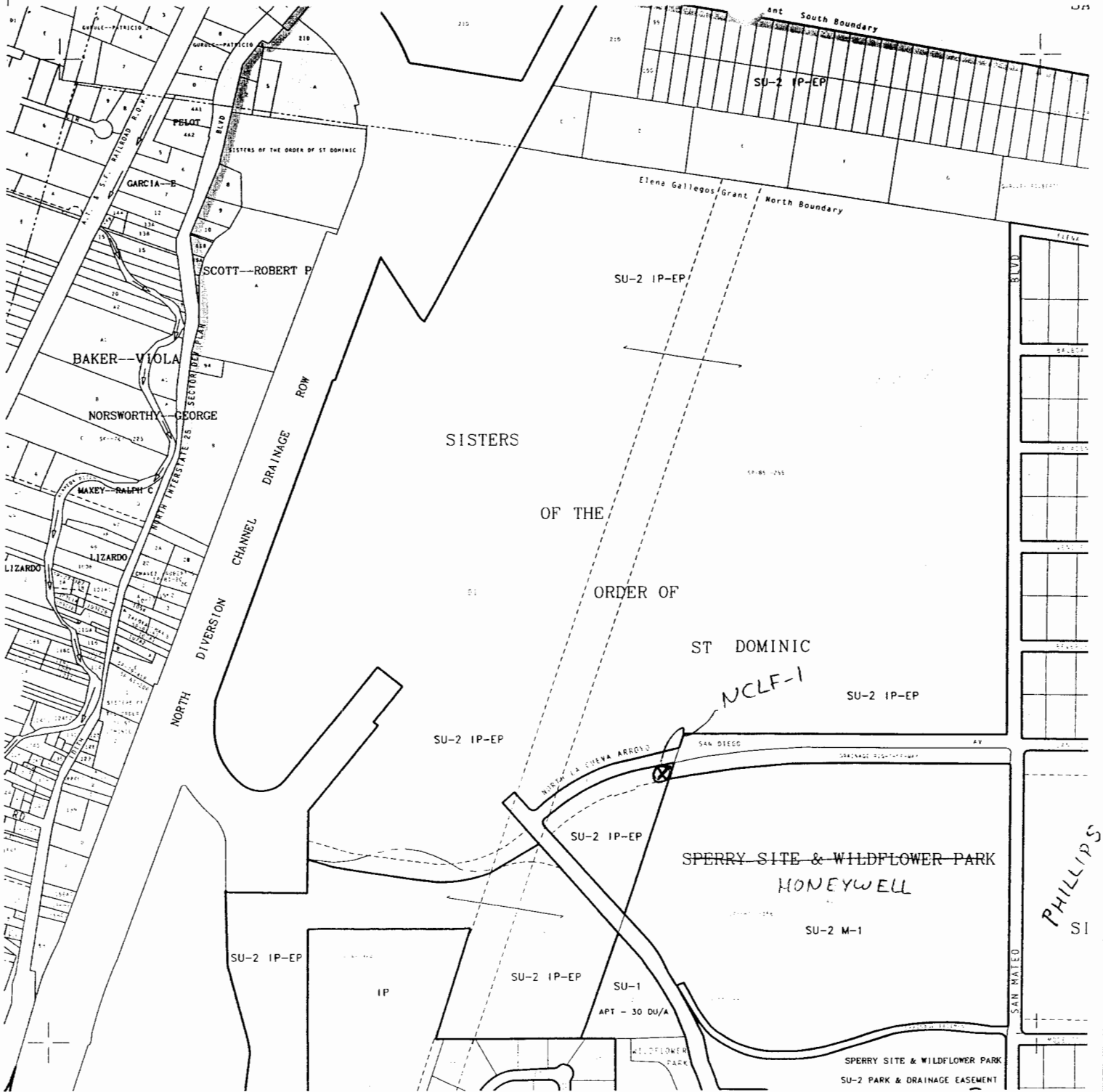
Well	Ground-Surface Elevation	Top of Casing Elevation	Ground-Water Elevation 7-20-94
1	5168.17	5168.70	4961.04
2	5158.15	5159.36	4964.44
3	5185.48	5186.43	4956.10
4	5182.46	5182.94	4960.02



SIGNETICS CORPORATION
NEW MEXICO FACILITY
ALBUQUERQUE, NEW MEXICO

MONITORING WELL AND BORING LOCATION MAP

FIGURE
2
PROJECT NO.
377 - 16.01



A G I S
 buquerque eographic information system
 City of Albuquerque

© Planning Department July 05, 1993

LEGAL DESCRIPTION
 T11N
 R3E
 SEC 11

UNIFORM PROPERTY CODE
 1-017-065

B-17-Z

B-17



Nazareth Landfill Site
Used by City: 1971-1972
Fill: Household and commercial trash
Depth: Approximately 37'



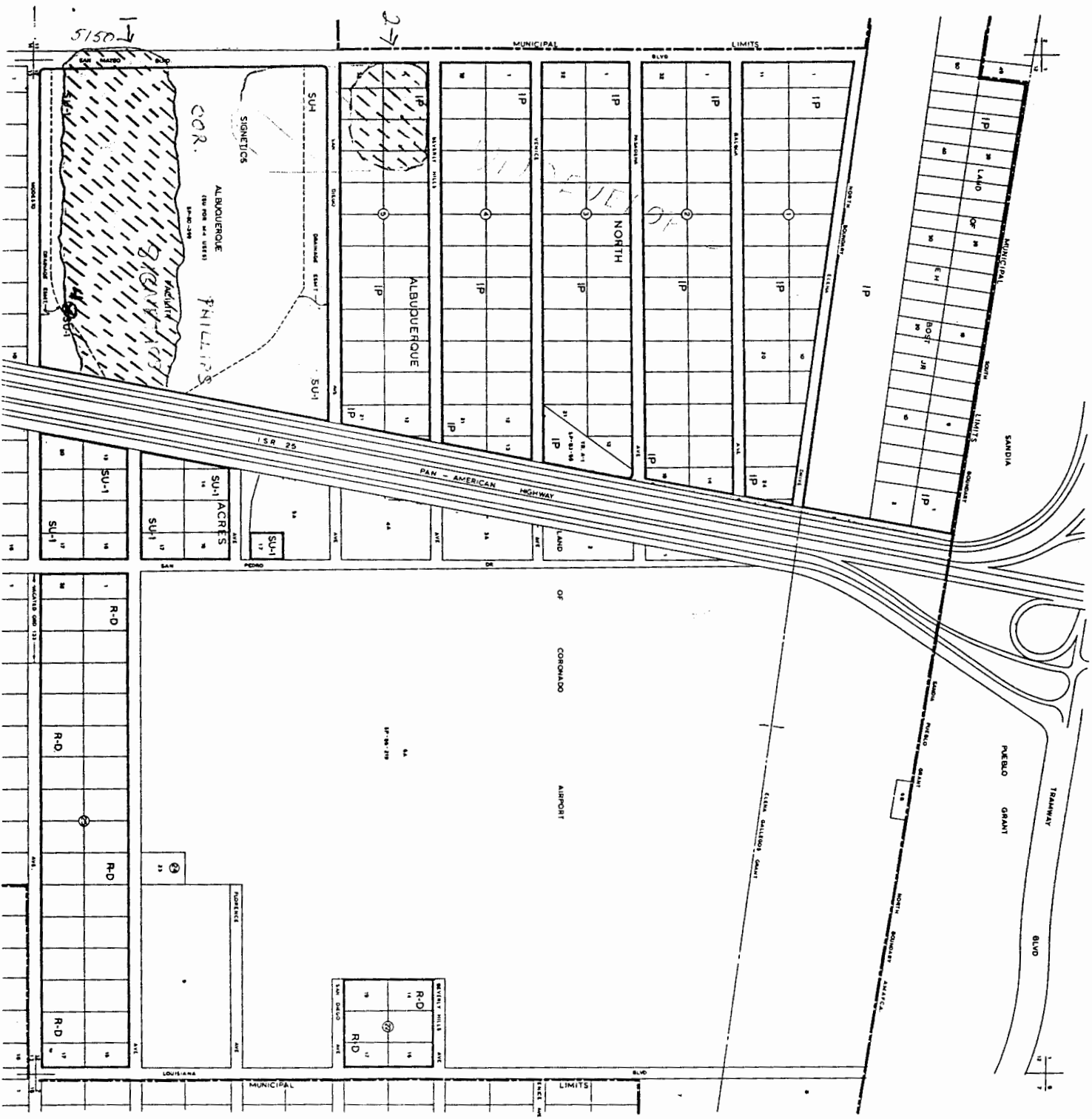
LEGAL DESCRIPTION
 1 11 8
 2 5 8
 3 5 8
 4 5 8
 5 5 8
 6 5 8
 7 5 8
 8 5 8
 9 5 8
 10 5 8
 11 5 8
 12 5 8
 13 5 8
 14 5 8
 15 5 8
 16 5 8
 17 5 8
 18 5 8
 19 5 8
 20 5 8
 21 5 8
 22 5 8
 23 5 8
 24 5 8
 25 5 8
 26 5 8
 27 5 8
 28 5 8
 29 5 8
 30 5 8
 31 5 8
 32 5 8
 33 5 8
 34 5 8
 35 5 8
 36 5 8
 37 5 8
 38 5 8
 39 5 8
 40 5 8
 41 5 8
 42 5 8
 43 5 8
 44 5 8
 45 5 8
 46 5 8
 47 5 8
 48 5 8
 49 5 8
 50 5 8
 51 5 8
 52 5 8
 53 5 8
 54 5 8
 55 5 8
 56 5 8
 57 5 8
 58 5 8
 59 5 8
 60 5 8
 61 5 8
 62 5 8
 63 5 8
 64 5 8
 65 5 8
 66 5 8
 67 5 8
 68 5 8
 69 5 8
 70 5 8
 71 5 8
 72 5 8
 73 5 8
 74 5 8
 75 5 8
 76 5 8
 77 5 8
 78 5 8
 79 5 8
 80 5 8
 81 5 8
 82 5 8
 83 5 8
 84 5 8
 85 5 8
 86 5 8
 87 5 8
 88 5 8
 89 5 8
 90 5 8
 91 5 8
 92 5 8
 93 5 8
 94 5 8
 95 5 8
 96 5 8
 97 5 8
 98 5 8
 99 5 8
 100 5 8

MUNICIPAL PROPERTY CODE
 1-001-043

MAP AMENDED THROUGH
 ISSUE 1988

B-17-Z
 CITY OF ALBUQUERQUE
 PLANNING DEPARTMENT





B-18-7

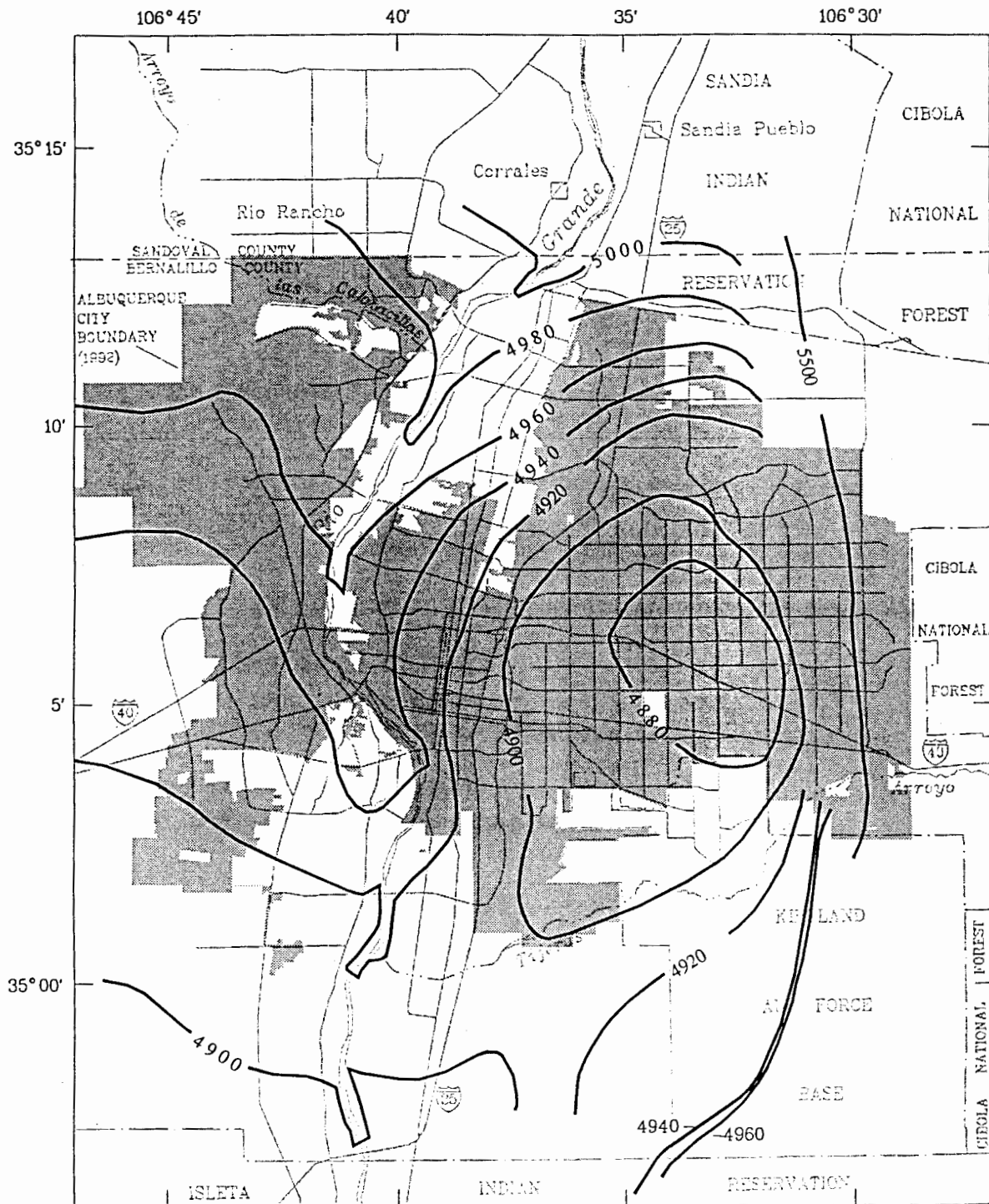
CITY OF ALBUQUERQUE
PLAT NUMBER 1818

MAP AMENDED THROUGH
PLAT 1818

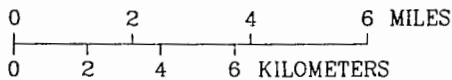
LEGAL DESCRIPTION
1.11 W
8.3 E
SEC 14

AMTORG PROJECT CODE
1.04.000



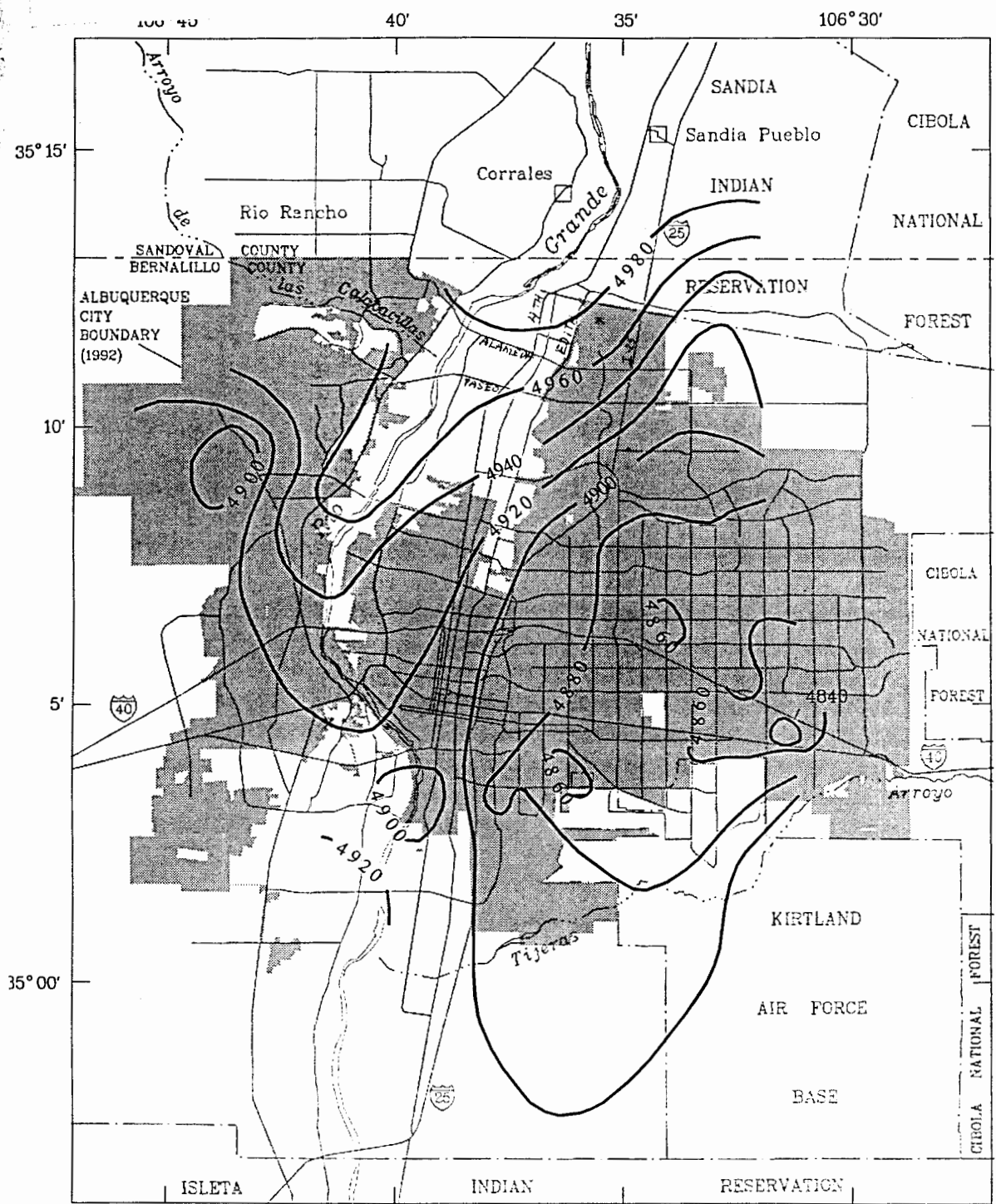


Base credit is contained in the introduction section of the text

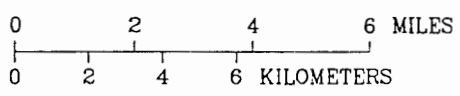


EXPLANATION
 — 4940 — WATER-LEVEL CONTOUR—Interval 20 feet. Datum is sea level

Figure 29.—Ground-water levels that represent 1988–89 conditions in the Santa Fe Group aquifer system in the Albuquerque area, Central New Mexico (Modified from Summers, 1992).



Base credit is contained in the Introduction section of the text



EXPLANATION
 — 4940 — WATER-LEVEL CONTOUR—Interval 20 feet. Datum is sea level

Figure 30.—Ground-water levels that represent 1992 conditions in the Santa Fe Group aquifer system in the Albuquerque area, Central New Mexico.