



ENTERED

Department of Energy
Carlsbad Field Office
P. O. Box 3090
Carlsbad, New Mexico 88221
NOV 20 2008



Mr. James Bearzi, Chief
Hazardous Waste Bureau
New Mexico Environment Department
2905 Rodeo Park Drive East, Building 1
Santa Fe, NM 87505-6303

Subject: Notification of Planned Alteration to the Permitted Facility Regarding the Installation of a Fire Water Supply Line to the Fire Suppression System in the Waste Handling Building

Dear Mr. Bearzi:

The purpose of this letter is to notify you of a planned alteration to the permitted facility in accordance with the WIPP Hazardous Waste Facility Permit Condition I.E.11. The existing firewater supply line to the RH Bay portion of the Waste Handling Building (WHB) at the WIPP facility is constructed of ductile iron pipe. The existing supply line will be upgraded with two new supply lines constructed of PVC. The new lines will be tied together to form one line, brought through the east wall of the WHB above-grade, and tied into the fire suppression system (FSS) riser. The existing post indicator valves (PIVs) 16 and 17 will be replaced and a new PIV (39) will be installed as shown on Figures 1 and 2. The existing ductile iron supply line will be disconnected from the firewater loop piping and abandoned in place. Once complete this change will serve as the primary and a redundant water supply line to the FSS serving the RH Bay and will improve reliability of the fire-water supply system. A portion of this activity will involve construction in the RH Bay. This construction activity could begin as early as December 2008. While construction occurs waste management activities in the affected areas of the RH Bay will not be conducted.

Upon completion of this activity a New Mexico registered professional engineer will certify that the modification has been made in accordance with the Permit. This certification will be sent to the NMED so that the NMED can make the determination of whether to inspect or not. The Permittees have determined that a modification of the Permit (Figures F-6, F-10, F-10a, F-11 and F-11a) is needed to reflect this alteration. This Class 1 modification will be submitted to the NMED once these changes have been approved by the NMED.

If you have any questions regarding this notification please contact Mr. H.L. (Jody) Plum at 575-234-7462.

Sincerely,

David C. Moody, Manager
Carlsbad Field Office

M.F. Sharif, General Manager
Washington TRU Solutions LLC



James Bearzi

-2-

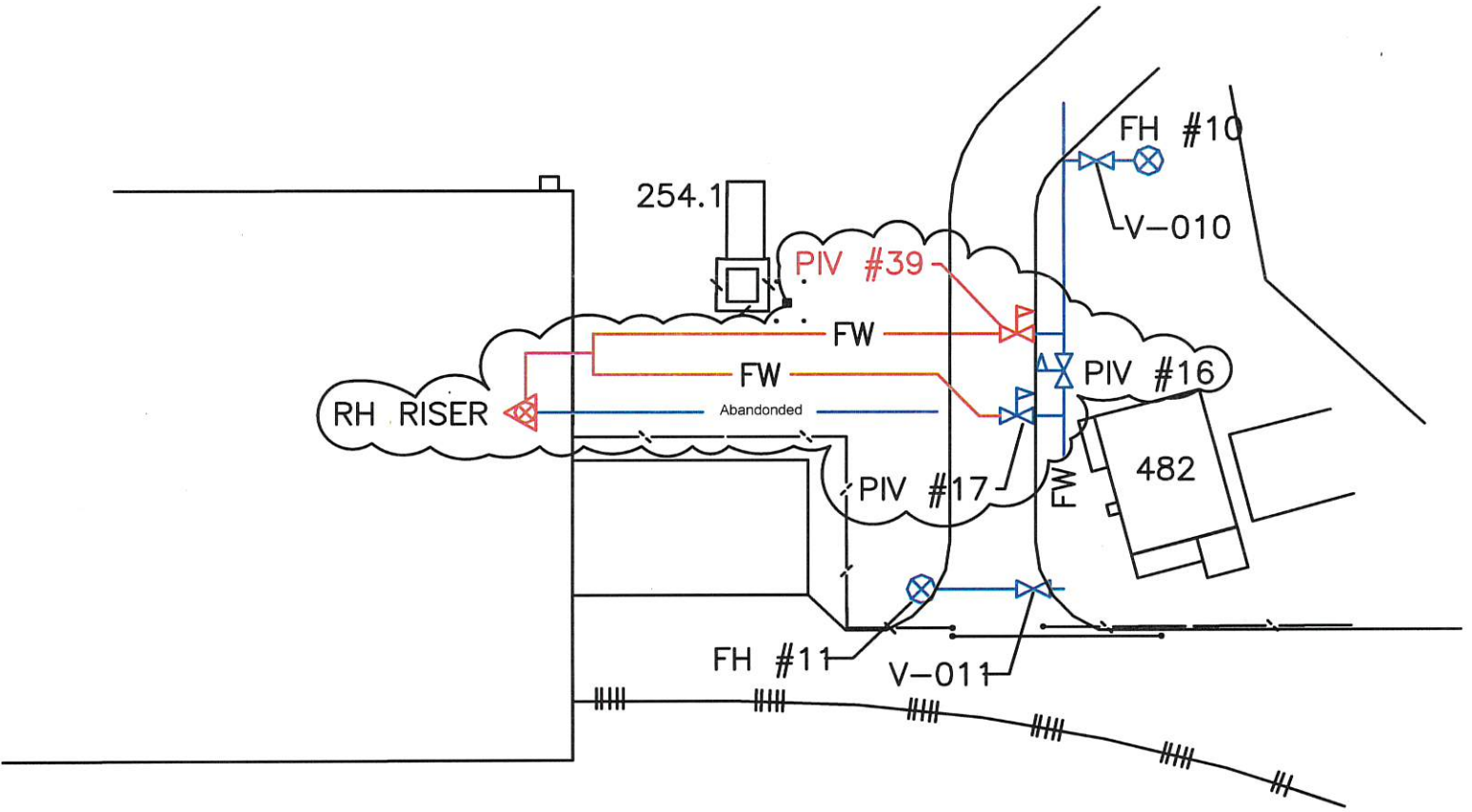
NOV 20 2008

cc:

J. Kieling, NMED * ED

S. Zappe, NMED ED

*ED denotes electronic distribution



NOT TO SCALE

Figure 1
New Firewater Lines and PIV

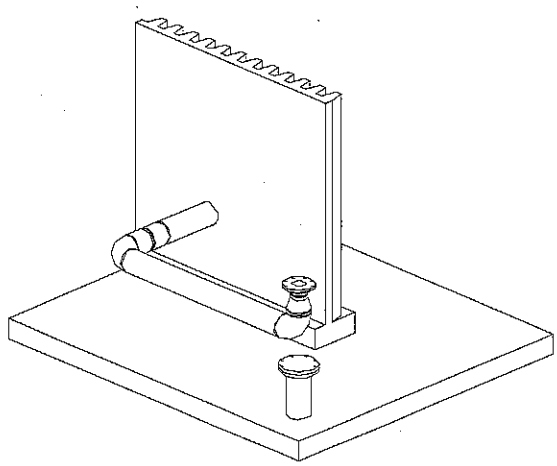
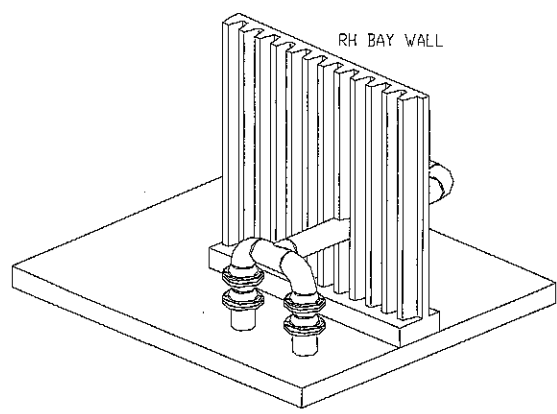
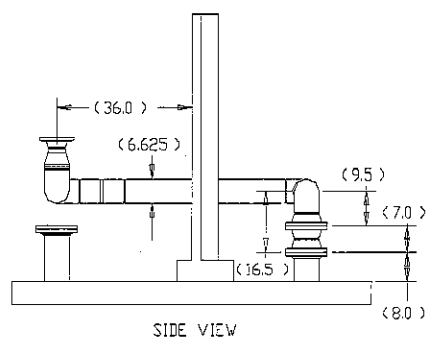
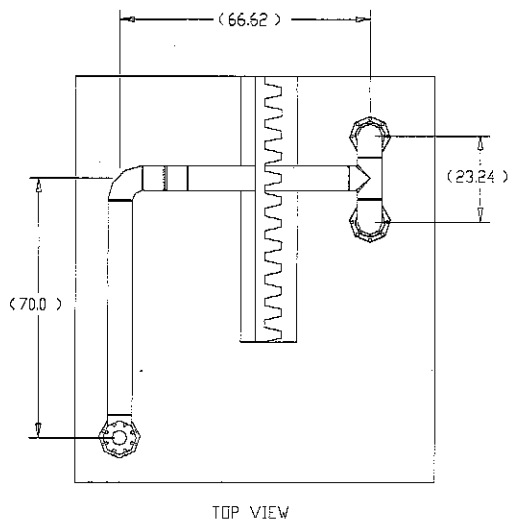


Figure 2
Firewater Line Riser Connection