



Department of Energy

Carlsbad Area Office
P. O. Box 3090
Carlsbad, New Mexico 88221

September 29, 1999

ENTERED



Mr. Steve Zappe
Hazardous and Radioactive Materials Bureau
2044-A Galisteo Street
P. O. Box 26110
Santa Fe, NM 87502-6110

Dear Mr. Zappe:

Enclosed are the clean copies of the changed drawings you requested for inclusion in the WIPP RCRA permit. Please call me at (505) 234-7349 if you need additional information, or larger copies of these drawings.

Sincerely,

Harold Johnson,
NEPA Compliance Officer

Enclosures



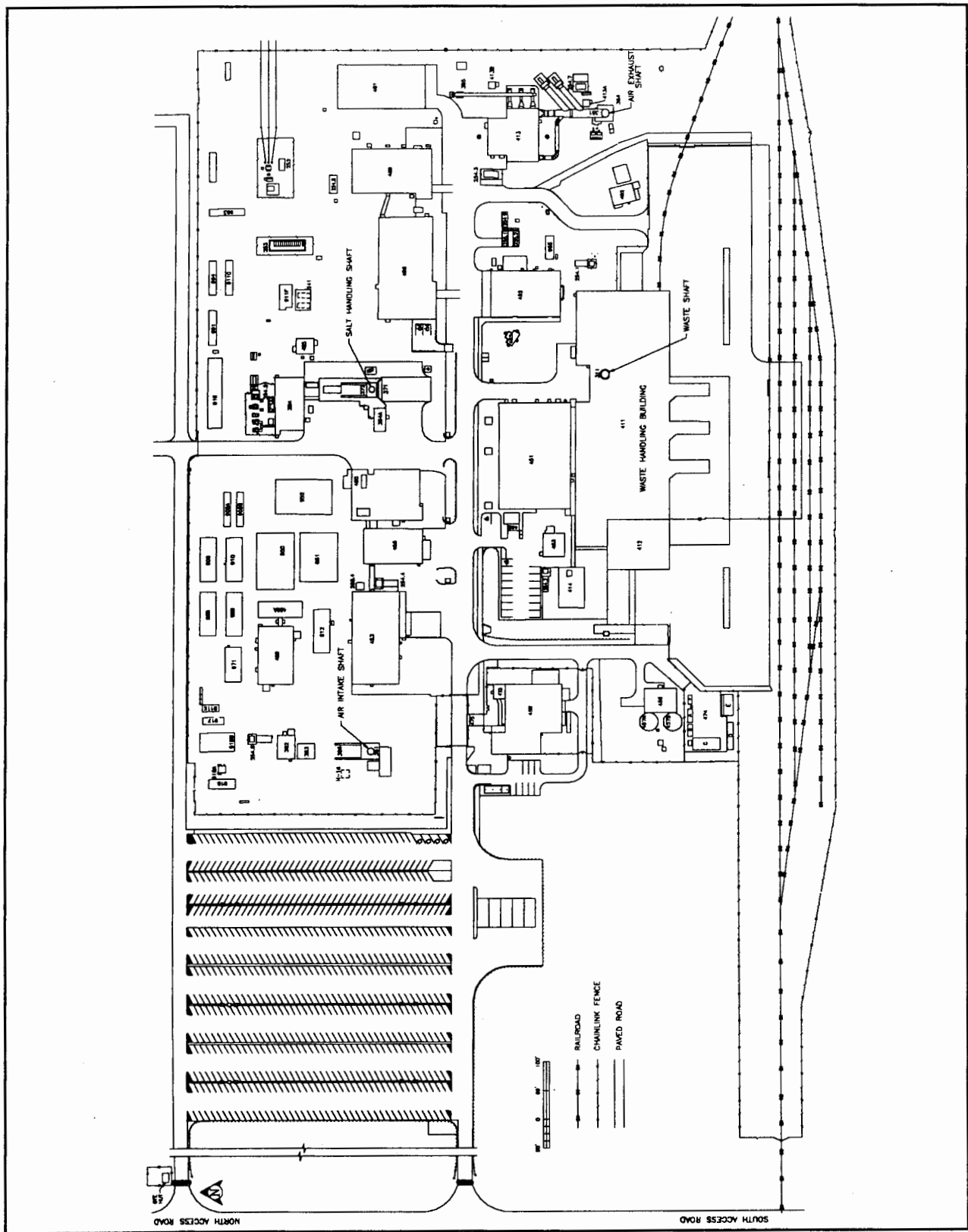


Figure F-1
WIPP Surface Structures

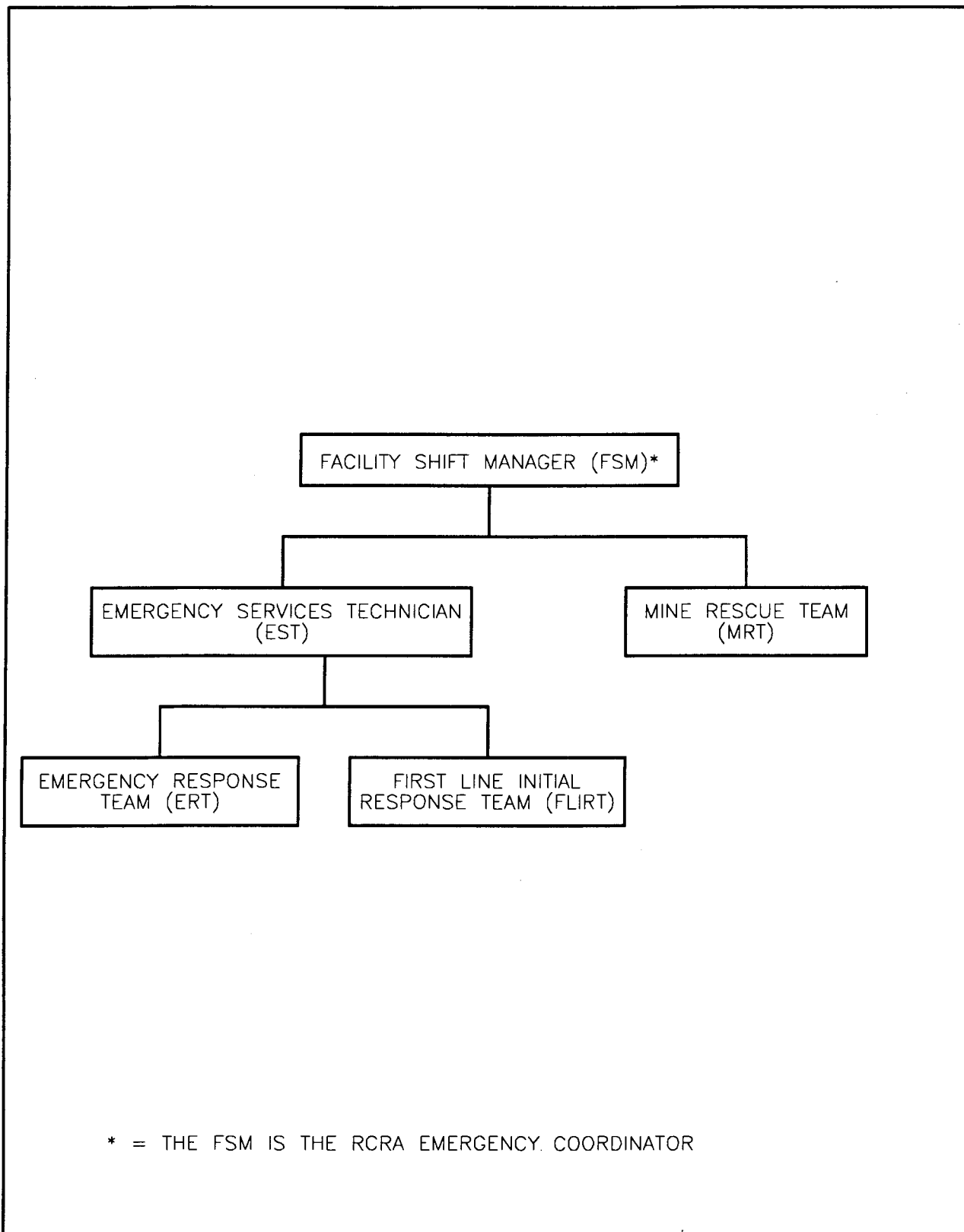


Figure F-4
Direction and Control Under Emergency Conditions
In Which the Plan Has Been Implemented

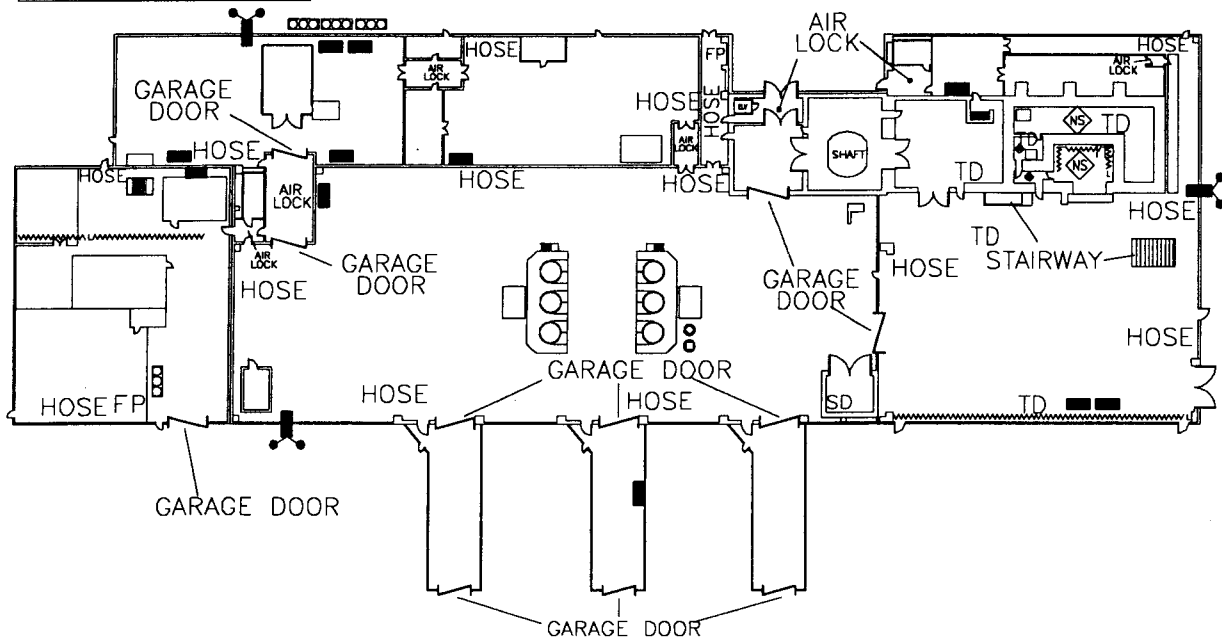
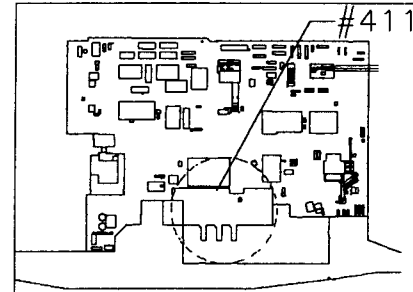
Pre-Fire Survey

1. Bldg. Name: WASTE HANDLING BUILDING
2. Address: 411 SITE
3. Occ. Type: MAINTENANCE AND OPERATIONS PERSONNEL
4. Map #: 411-1
5. Roof Const.: METAL
6. Floor Const.: CONCRETE
7. Date: 07/27/95
8. Revision Date: 02/10/97
9. Surrounding Bldgs.: 412, 451, 452, 463
10. Fire Hydrants: FH-#8 N, FH-#11 E, FH-#12 S, FH-#13 S,



LEGEND	
	ELECTRICAL PANEL
	FLAMMABLE CABINET
	THERMAL DETECTOR
	NON-SPRINKLERED AREA
	LADDER WITH OVERHEAD WALKWAY
	75' FIRE HOSE
	FIRE CONTROL PANEL
	SMOKE DETECTOR
	SPRINKLER RISER WITH F.D. CONNECTION
	COMP. GAS CYL.
	FENCE

411
WASTE HANDLING BUILDING
1ST FLOOR

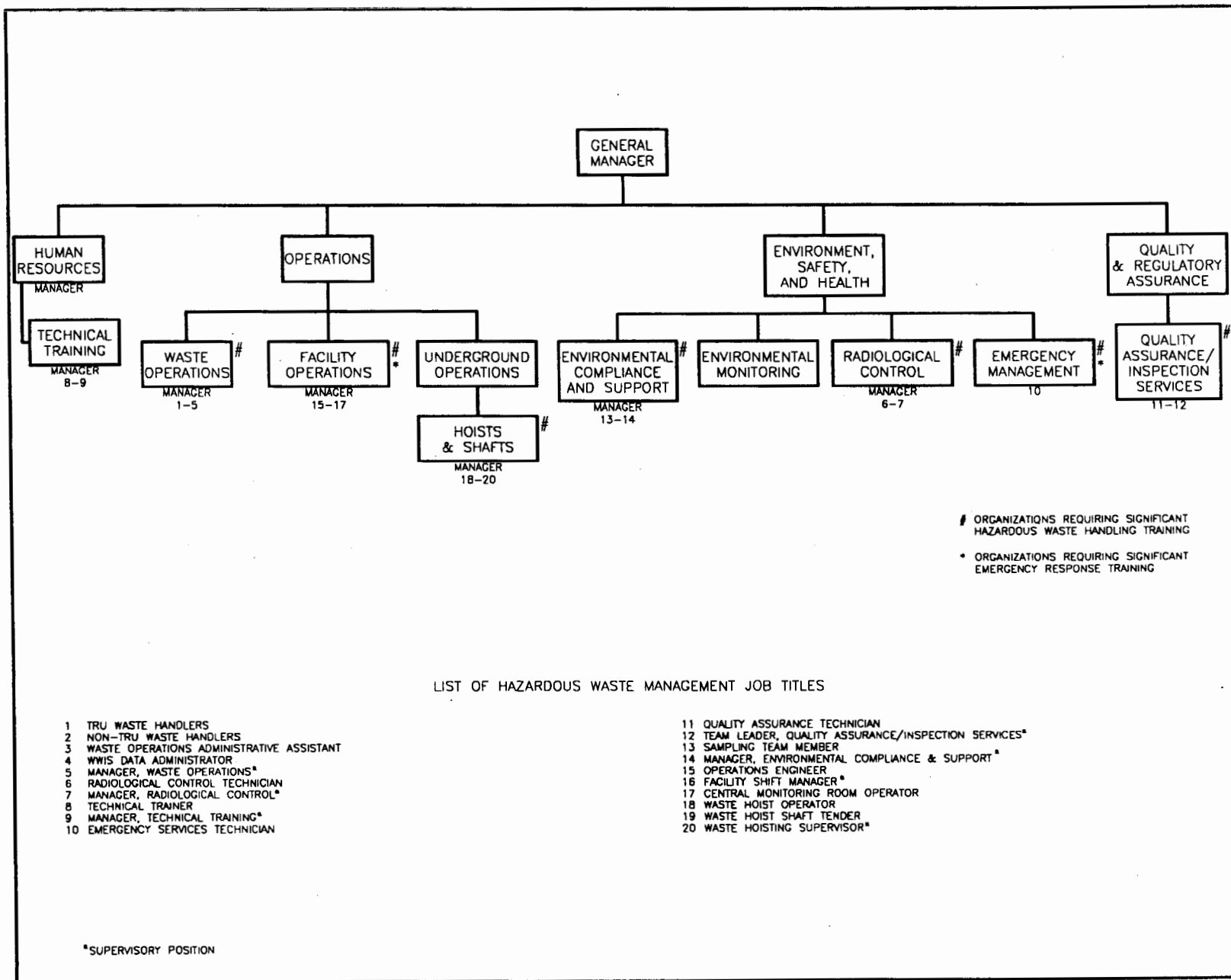


11. Comments: WATER SHUT-OFF AT PIV #8, PIV #17, PIV #19

Figure F-11
WHB Pre-Fire Survey

Abbreviated WPP Facility Organizational Chart Showing the Organizational Location of Training, Waste Handling and Emergency Response Functions

Figure H1



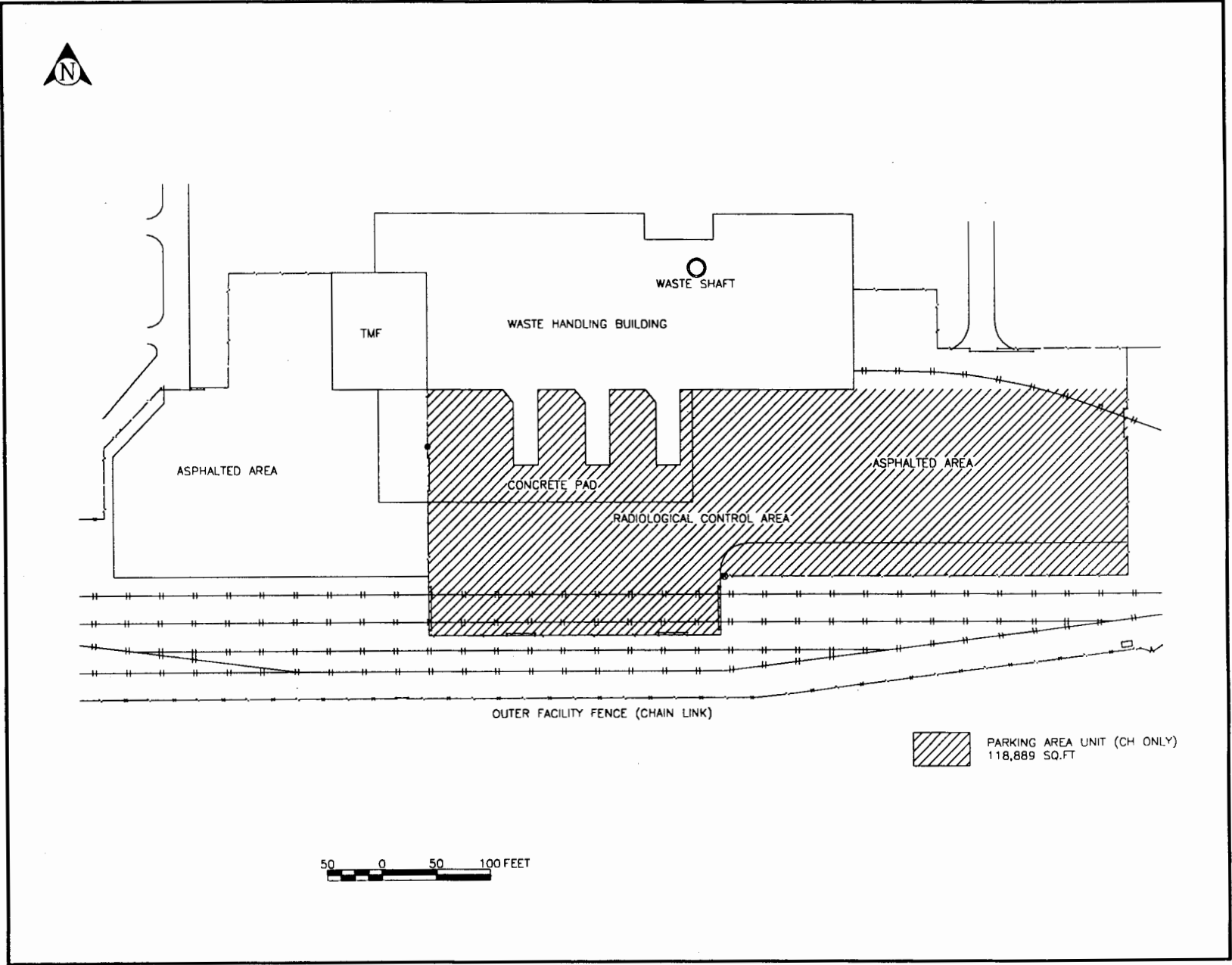


Figure M1-2
 Parking Area - Container Storage Unit

FACILITIES, USAGE AND STRUCTURE NUMBERS

BLDG./ FAC. #	DESCRIPTION	BLDG./ FAC. #	DESCRIPTION	BLDG./ FAC. #	DESCRIPTION
#241	EQUIPMENT SHED	#457	WATER TANK 25-D-001B	#916	SANDIA OFFICES TRAILER
#252	SPS UTILITY SUBSTATION	#458	GUARD AND SECURITY BUILDING	#917	AIS MONITORING
#253	13.8 KV SWITCHGEAR 25P-SWG15/1	#459	CORE STORAGE BUILDING	#918	VOC TRAILER
#254.1	AREA SUBSTATION NO.1 25P-SW15.1	#459A	SANDIA ANNEX	#918A	VOC AIR MONITORING STATION
#254.2	AREA SUBSTATION NO.2 25P-SW15.2	#463	COMPRESSOR BUILDING	#918B	VOC LAB TRAILER
#254.3	AREA SUBSTATION NO.3 25P-SW15.3	#465	AUXILIARY AIR INTAKE	#950	WORK CONTROL TRAILER
#254.4	AREA SUBSTATION NO.4 25P-SW15.4	#468	TELEPHONE HUT	#951	PROCUREMENT/PURCHASING
#254.5	AREA SUBSTATION NO.5 25P-SW15.5	#473	ARMORY BUILDING	#952	TRAILER
#254.6	AREA SUBSTATION NO.6 25P-SW15.6	#474	HAZARDOUS WASTE STORAGE FACILITY	#965	SAMPLE LABORATORY TRAILER
#254.7	AREA SUBSTATION NO.7 25P-SW15.7	#474A	HAZARDOUS WASTE STORAGE BUILDING	#971	HUMAN RESOURCES TRAILER
#254.8	AREA SUBSTATION NO.8 25P-SW15.8	#474B	HAZARDOUS WASTE STORAGE BUILDING	#985	QA TRAILER
#254.9	480V SWITCHGEAR (25P-SWG04/9)	#474C	OIL & GREASE STORAGE BUILDING	#986	PUBLICATIONS & PROCEDURES TRAILER
#255.1	EMERGENCY GENERATOR #1 25-PE 503	#474D	GAS BOTTLE STORAGE BUILDING	#991	SANDIA OFFICES TRAILER
#255.2	EMERGENCY GENERATOR #2 25-PE 504	#474E	HAZARD MATERIAL STORAGE BUILDING	#993	SANDIA OFFICES TRAILER
#256.4	SWITCHBOARD #4 (25P-SBDO4/4)	#474F	WASTE OIL RETAINER	#994	SANDIA LAB TRAILER
#311	WASTE SHAFT	#475	GATEHOUSE		
#351	EXHAUST SHAFT	#480	VEHICLE FUEL STATION	SWR NO.1	SWITCHRACK NO. 1
#361	AIR INTAKE SHAFT	#481	WAREHOUSE ANNEX	SWR NO.2	SWITCHRACK NO. 2
#362	AIR INTAKE SHAFT/HOIST HOUSE	#482	EXHAUST SHAFT HOIST EQUIP. WAREHOUSE	SWR NO.3	SWITCHRACK NO. 3
#363	AIR INTAKE SHAFT/WINCH HOUSE	#485	SULLAIR COMPRESSOR BUILDING	SWR NO.4	SWITCHRACK NO. 4
#364	EFFLUENT MONITORING INSTRUMENT SHED A	#486	ENGINEERING BUILDING	SWR NO.6	SWITCHRACK NO. 6
#365	EFFLUENT MONITORING INSTRUMENT SHED B	#489	TRAINING BUILDING	SWR NO.7,7A,7B	SWITCHRACK NO. 7, 7A, 7B
#366	AIR INTAKE SHAFT HEADFRAME	#H-16	SANDIA TEST WELL	SWR NO.7C	SWITCHRACK NO. 7C
#371	SALT HANDLING SHAFT	#907	TRAILER	SWR NO.8	SWITCHRACK NO. 8
#372	SALT HANDLING SHAFT HEADFRAME	#908A	ENVIRONMENTAL MONITORING LAB TRAILER	SWR NO.9	SWITCHRACK NO. 9
#384	SALT HANDLING SHAFT HOISTHOUSE	#908B	UNIVERSITY CONSORTIUM TRAILER	SWR NO.10	SWITCHRACK NO. 10
#384A	MINING OPERATIONS	#909	PROJECT CONTROL TRAILER	SWR NO.11	SWITCHRACK NO. 11
#411	WASTE HANDLING BUILDING	#910	ENVIRONMENTAL MONITORING TRAILER	SWR NO.12	SWITCHRACK NO. 12
#412	TRUPACT MAINTENANCE BUILDING	#911A	SITE LOCKSMITH TRAILER	--	CONCRETE CATCH BASIN NO.1
#413	EXHAUST SHAFT FILTER BUILDING	#911B	SANDIA M101 TRAILER	--	CONCRETE CATCH BASIN NO.2
#413A	MONITORING STATION A	#911C	SANDIA OFFICES TRAILER	--	C.E.M.R.C.
#413B	MONITORING STATION B	#911E	SANDIA TRAILER		
#414	WATER CHILLER FACILITY & BLDG	#911G	SANDIA LABS TRAILER		
#451	SUPPORT BUILDING	#912	TRAINING TRAILER		
#452	SAFETY & EMERGENCY SERVICES FACILITY				
#453	WAREHOUSE/SHOPS BUILDING				
#455	AUXILLIARY WAREHOUSE BUILDING				
#456	WATER PUMPHOUSE				
#457	WATER TANK 25-D-001A				

Figure F-1a
Legend to Figure F-1

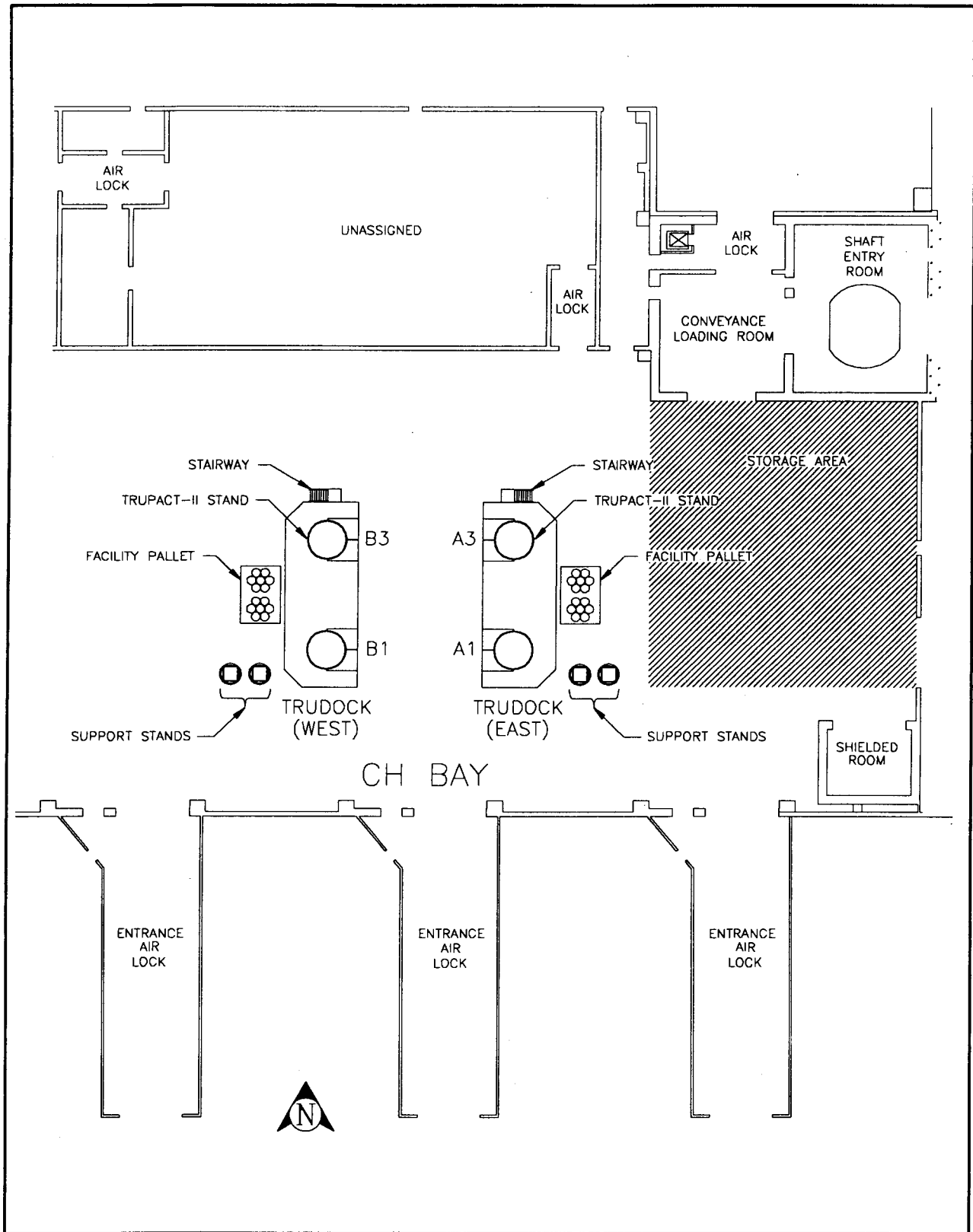


Figure M1-9
 Configuration of CH TRU Mixed Waste
 Unloading Docks in the WHB

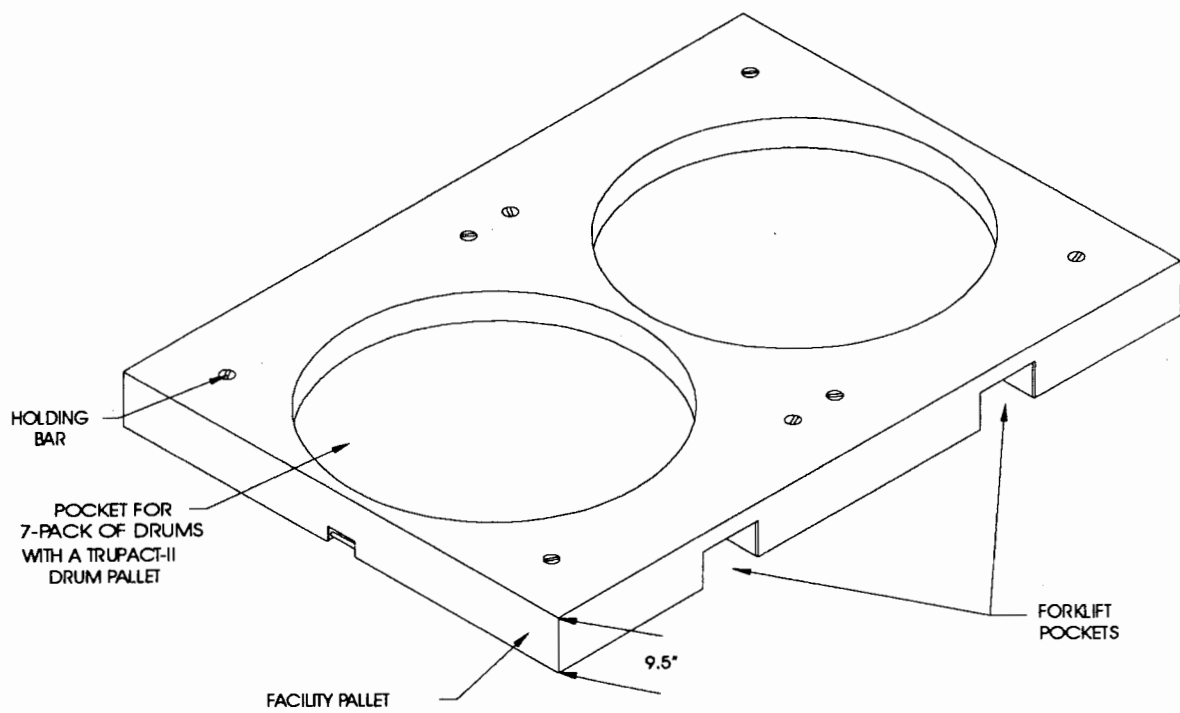


Figure M1-10
Facility Pallet for Seven-Pack of Drums

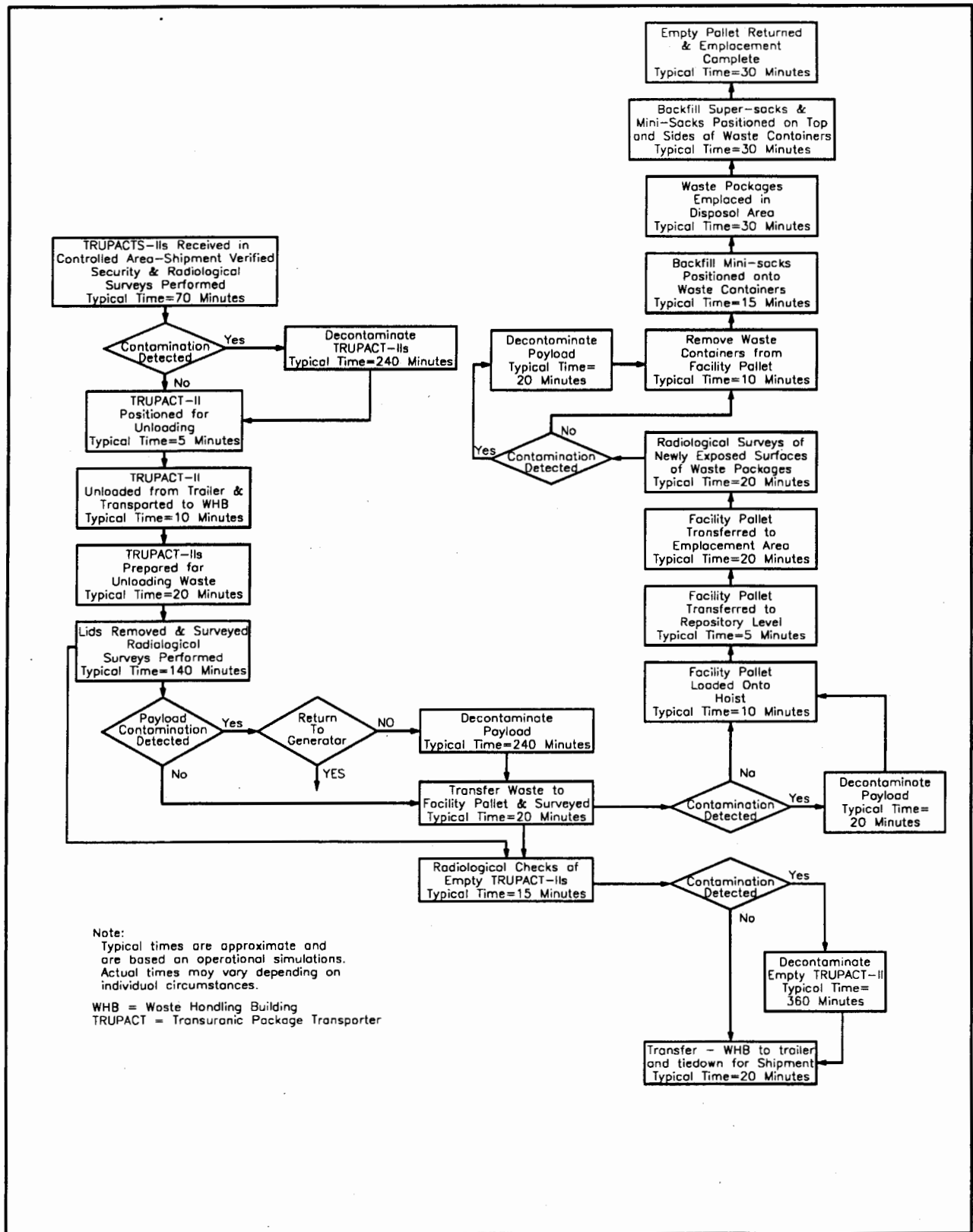


Figure M1-12
WIPP Facility Surface and U/G CH TRU
Mixed Waste Process Flow Diagram

Figure M1-13
 Waste Handling Building Plan (Ground Floor)

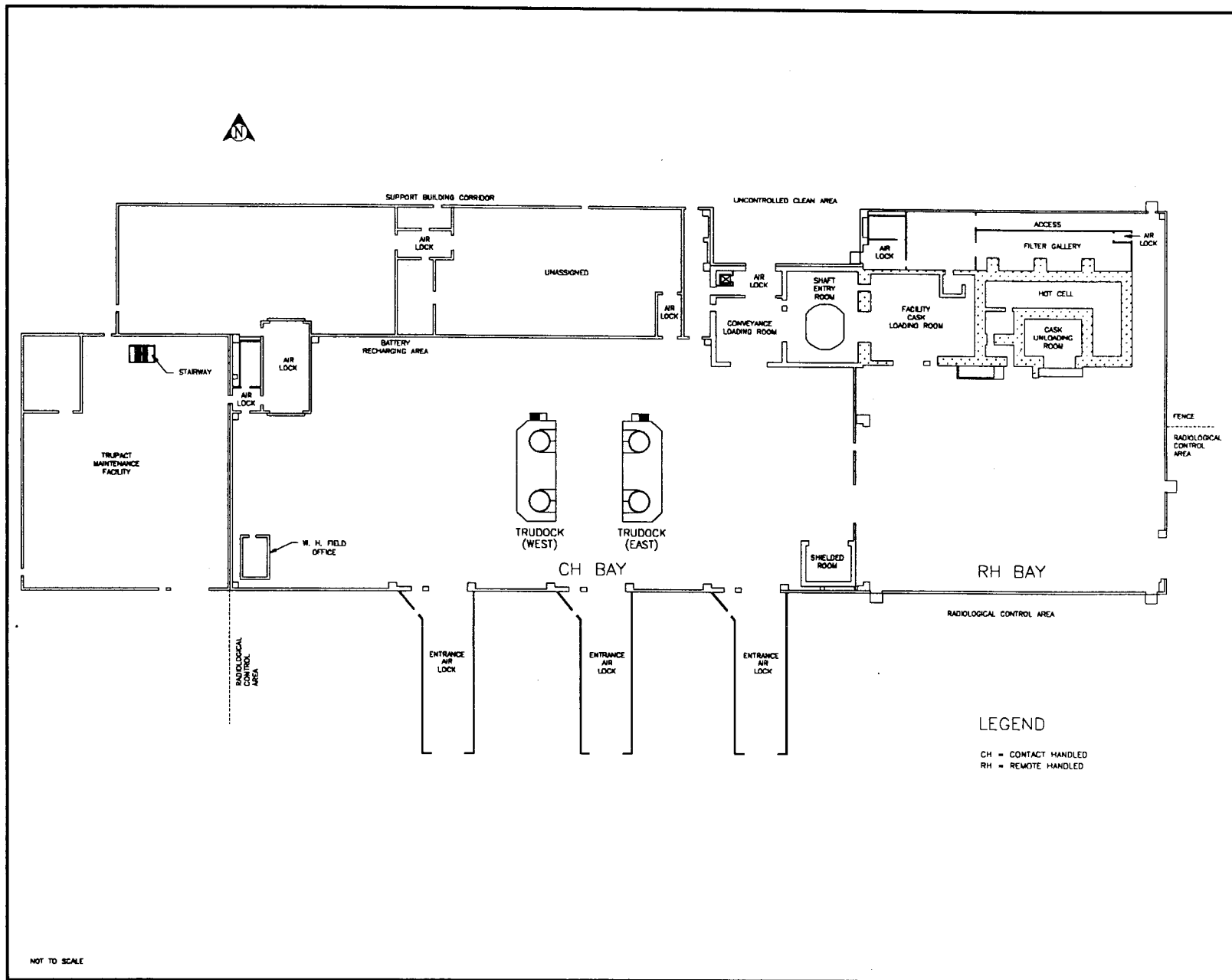
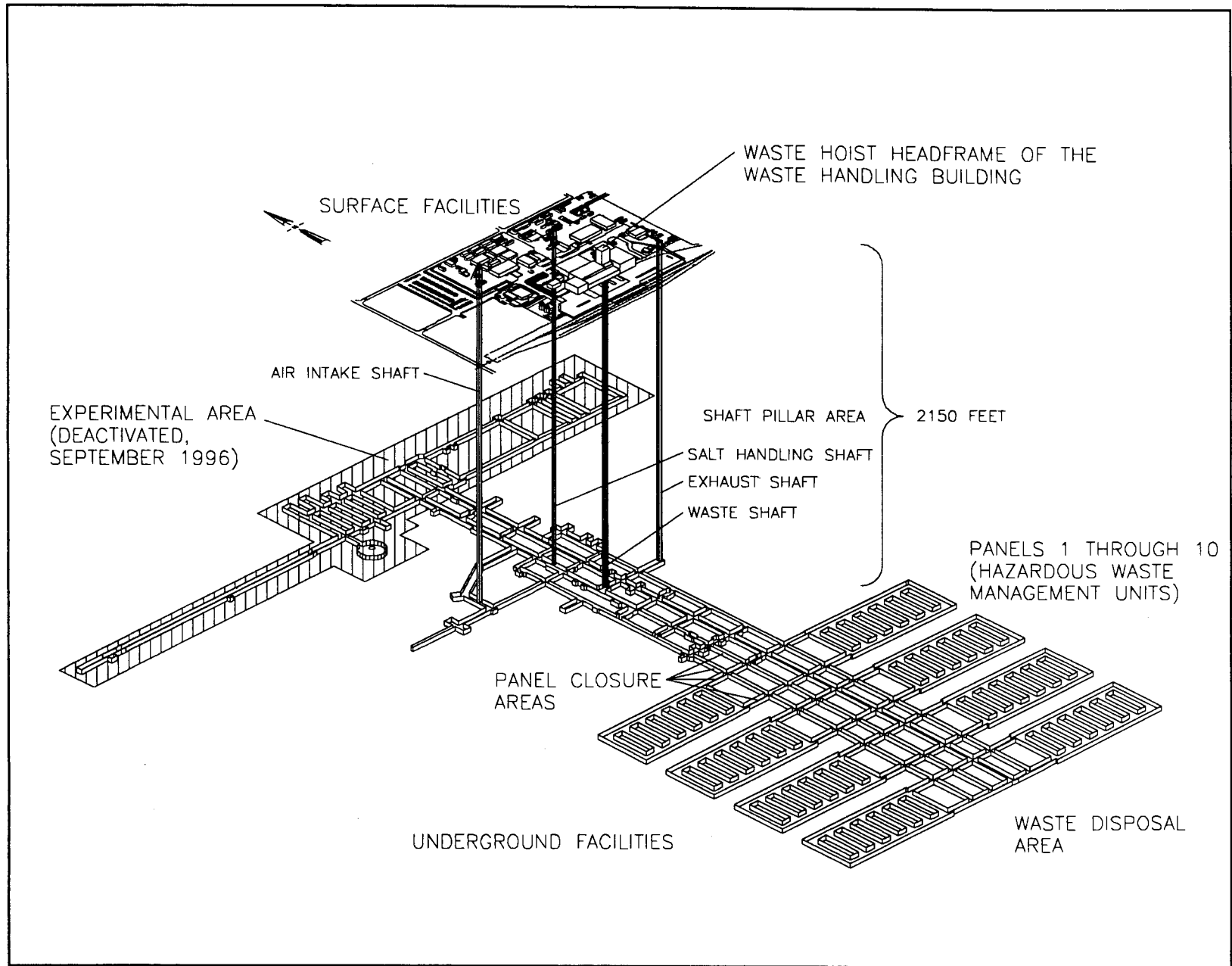


Figure M2-2
Spatial View of the Misc Unit and the WHB



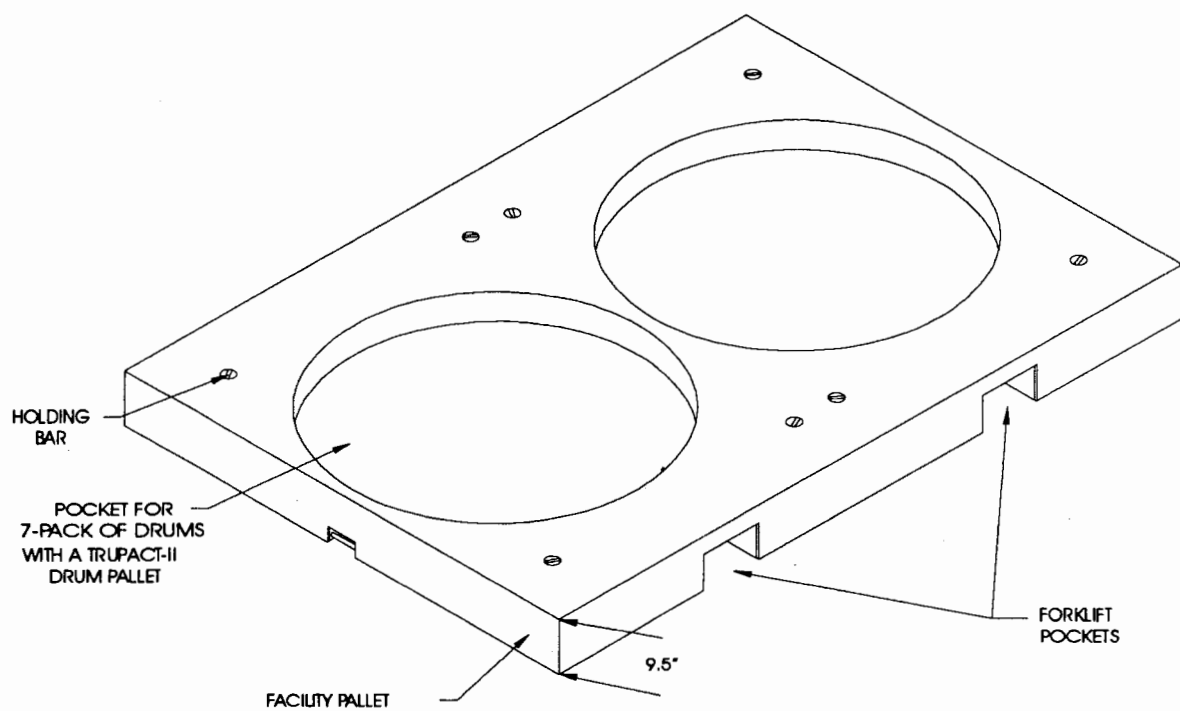


Figure M2-3
Facility Pallet for Seven-Packs

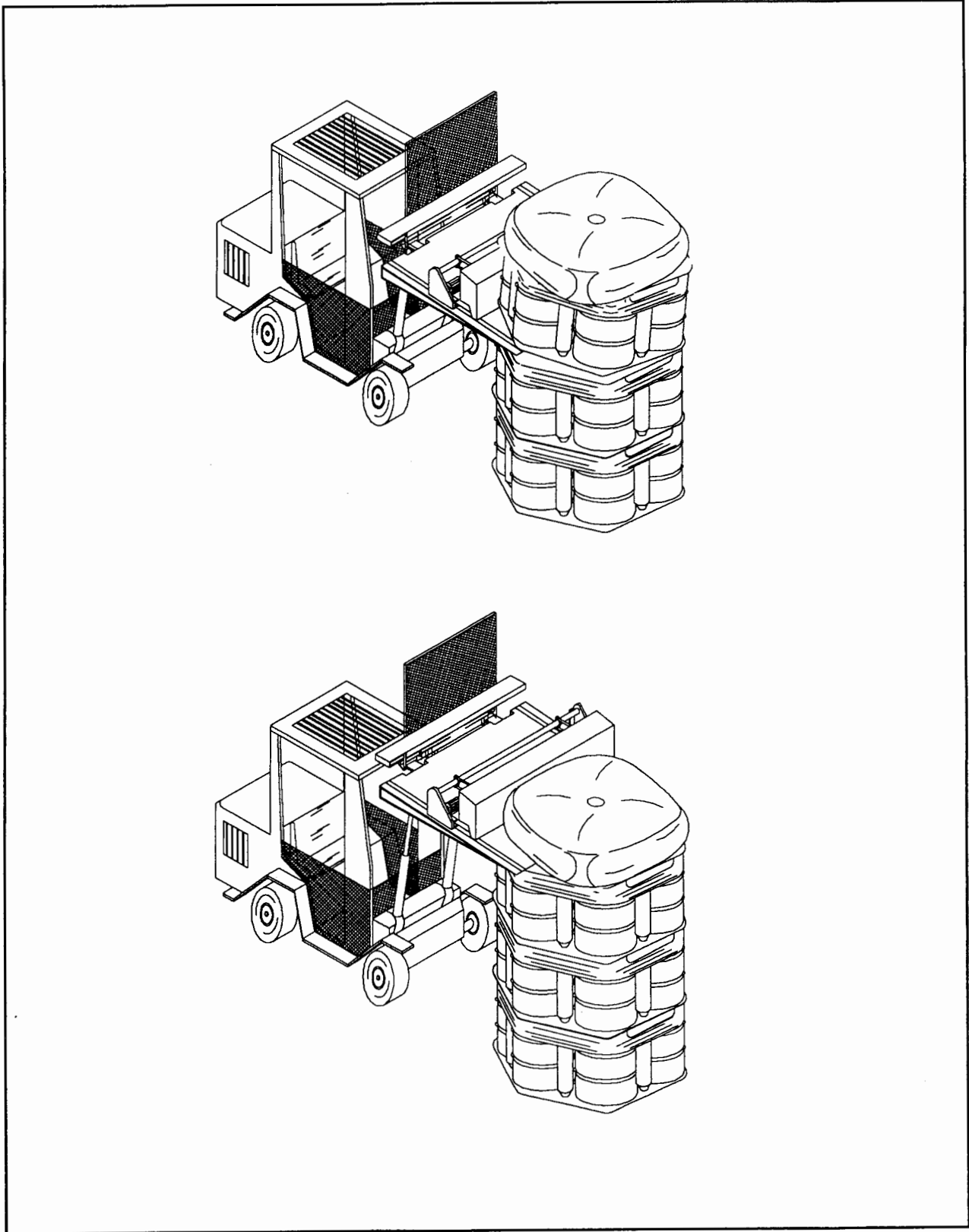


Figure M2-5
Backfill Sacks Emplaced in a Room

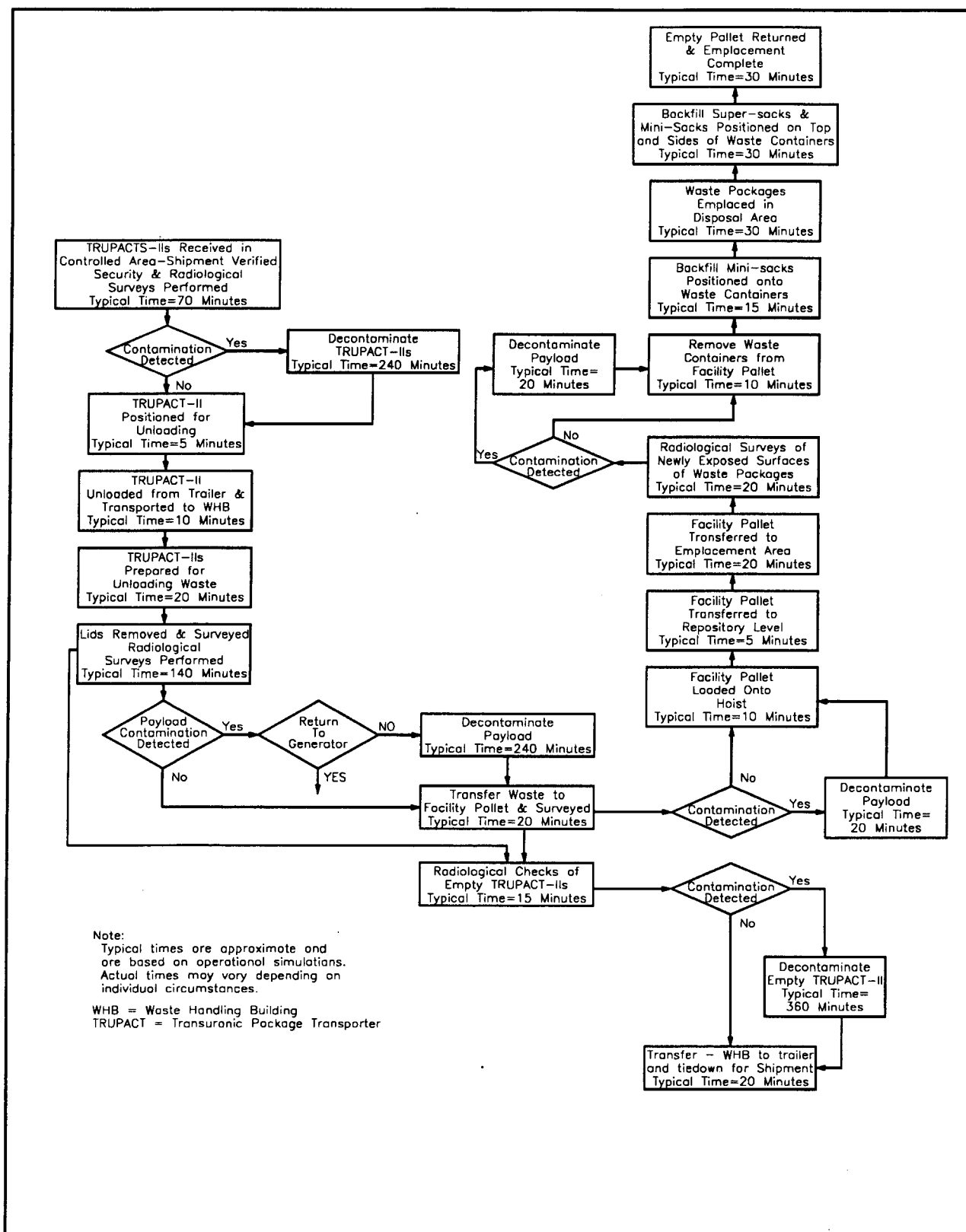
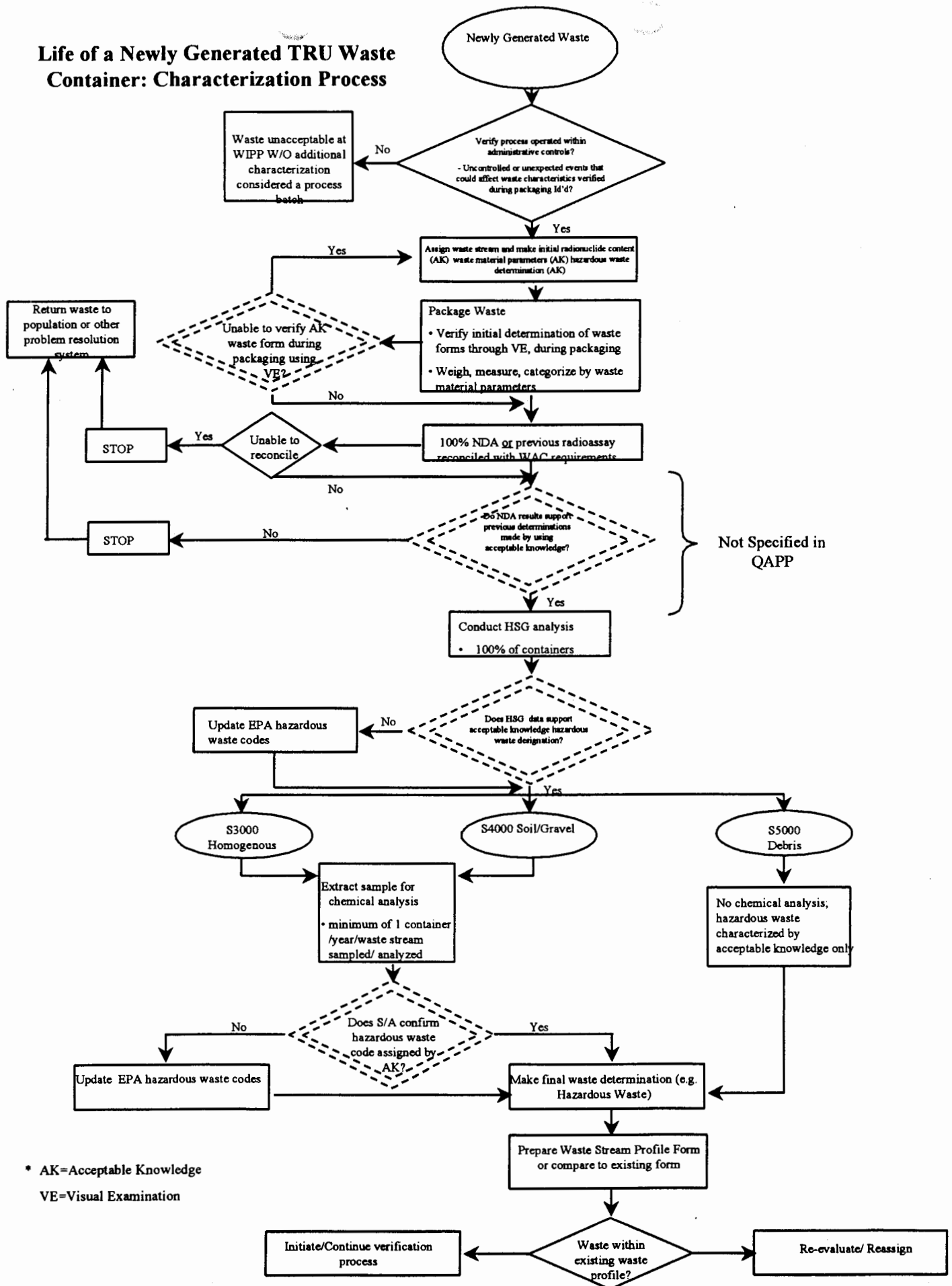


Figure M2-13
WIPP Facility Surface and U/G CH TRU
Mixed Waste Process Flow Diagram

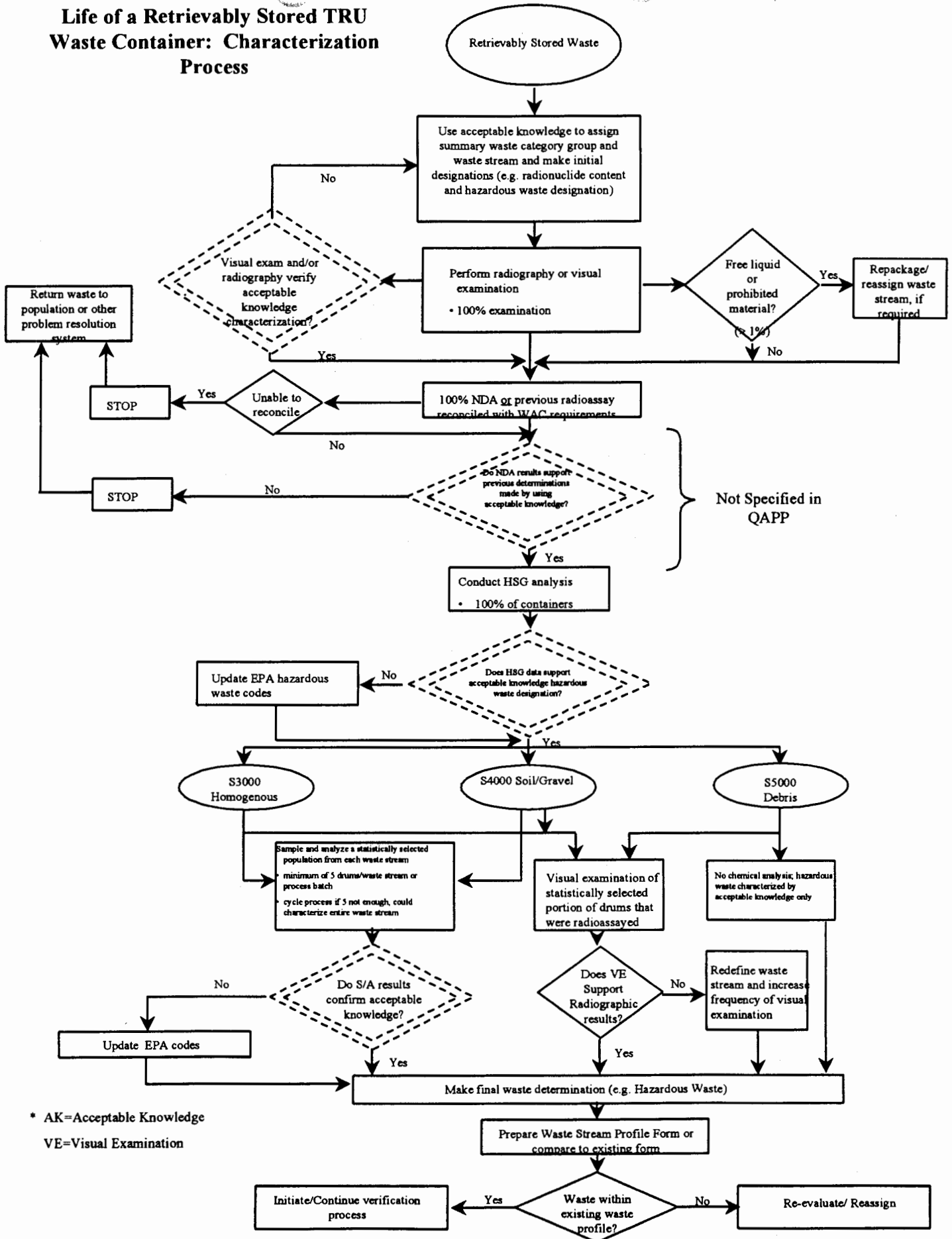
Life of a Newly Generated TRU Waste Container: Characterization Process



* AK=Acceptable Knowledge

VE=Visual Examination

Life of a Retrievably Stored TRU Waste Container: Characterization Process



* AK=Acceptable Knowledge

VE=Visual Examination

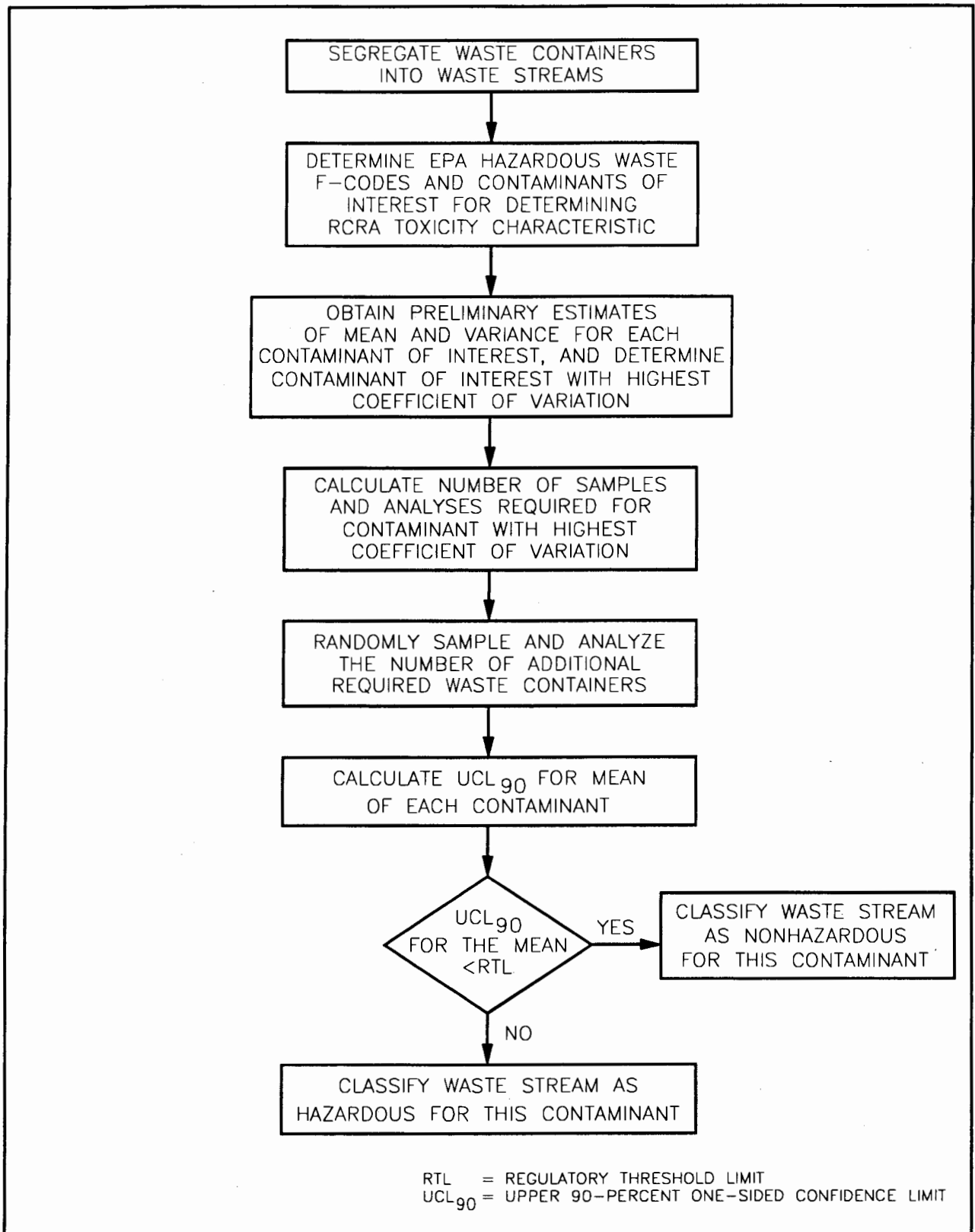


Figure B2-1

Statistical Approach to Sampling and Analysis of Waste Streams of Retrievably Stored Homogenous Solids and Soil/Gravel

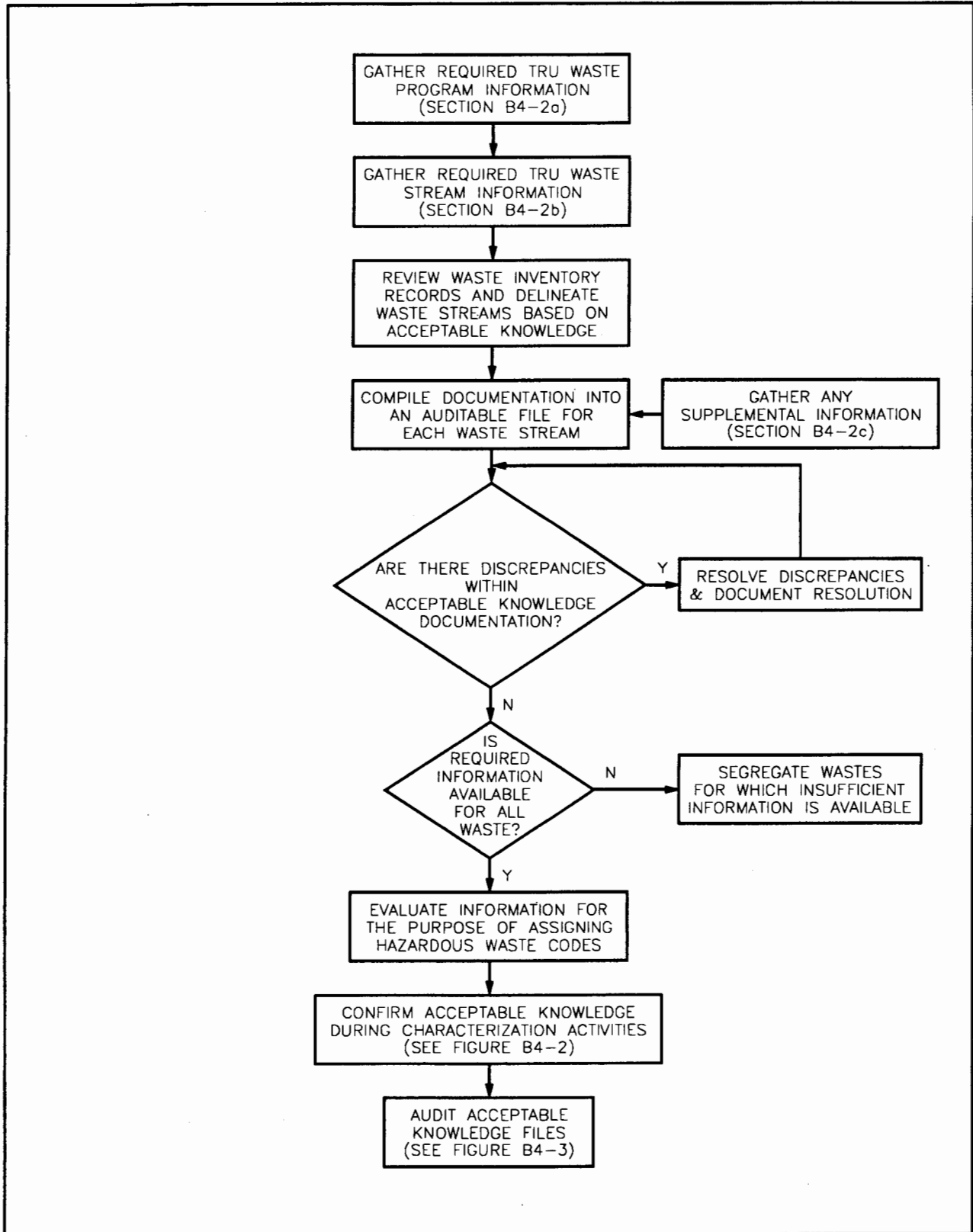


Figure B4-1
Compilation of Acceptable Knowledge Documentation